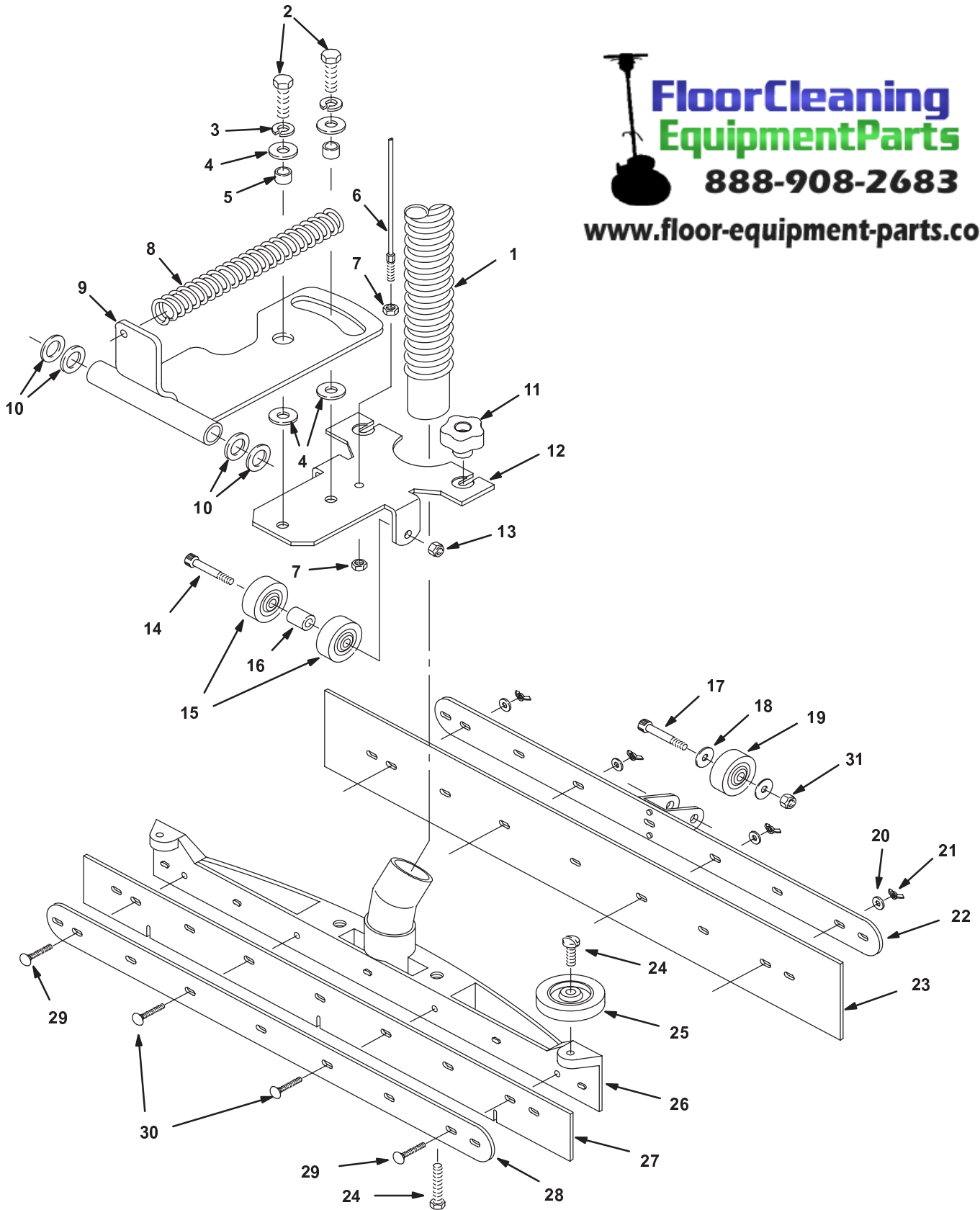


SQUEEGEE GROUP  
CONJUNTO PALETA



**SQUEEGEE GROUP**  
**CONJUNTO PALETA**

REF	PART #	DESCRIPTION	QTY.
1	160617	●HOSE, VAC 1-1/2"X24" W/CUFFS	1
2	140237	SCREW, HEX .50-13X1.00	2
3	140024	WASHER, LOCK 0.50	2
4	140045	WASHER, 0.51B 1.25D .06 FLT	4
5	140139	SLEEVE, 0.625D 0.50B 0.25L	2
6	601428	CABLE, SQUEEGEE	1
7	601476	NUT, 1/4-20 LOCK TWO-WAY	2
8	603149	SPRING, EXT .65 X 5.00 X .069	1
9	601452	BRACKET, SQ. PIVOT	1
10	140047	WASHER, FLAT 1.246 X .754 X .062	4
11	1011094	●KNOB, RND 1.50IN DIA 5 EAR	2
12	601451	BRACKET, SQUEEGEE MOUNT	1
13	601108000	NUT, 5/16-18 HXLCK THIN NY	1
14	603144	BOLT, SHLD .38D X 3.00	1
15	630477	●WHEEL, 2.0D 0.38W POLY GRAY	2
16	603368	SPACER, .39 X .75 X .75 NY	1
▽	605856	ASM., SQUEEGEE GUM RUBBER	1
▲	600187	BOLT, SHLD .38D X 1.25, .31-18	1
▲	140028	WASHER, FLAT .38	2
▲	630477	●WHEEL, 2.0D 0.38W POLY GRAY	1

REF	PART #	DESCRIPTION	QTY.
▲	20	140000 WASHER, FLAT 1/4	4
▲	21	140536 NUT, WING .25-20	4
▲	22	601457 STRIP, REAR RETAINER	1
▲	23	601455 ●BLADE, SQ. REAR GUM	1
		601486 ●BLADE, SQ. REAR LINATEX (OPTION)	1
		601488 ●BLADE, SQ. REAR URETHANE (OPTION)	1
▲	24	140799 SCREW, TRS 5/16-18X1.50 PHL	4
▲	25	630450 ●WHEEL, RBR 3"X.88" W/BUSHING	2
▲	26	601450 CASTING, SQUEEGEE	1
▲	27	601454 ●BLADE, SQ. FRONT GUM	1
		601485 ●BLADE, SQ. FRONT LINATEX (OPTION)	1
		601487 ●BLADE, SQ. FRONT URETHANE (OPTION)	1
▲	28	601456 STRIP, FRONT RETAINER	1
▲	29	612184000 BOLT, CARRIAGE .25-20X1.5	2
▲	30	612186000 BOLT, CARRIAGE .25-20X2.5	2
▲	31	601108000 NUT, 5/16-18 HXLCK THIN NY	1

▽ ASSEMBLY / CONJUNTO

▲ INCLUDED IN ASSEMBLY / INCLUIDO EN EL CONJUNTO

● RECOMMENDED STOCK ITEMS / ARTICULOS RECOMENDADOS PARA MANTENER EN EXISTENCIA

