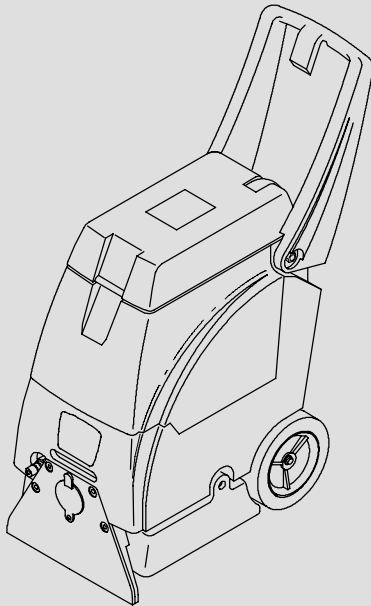
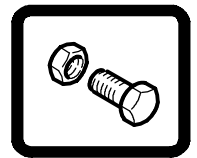




EX-SC-412 EX-SC-1530

Portable Carpet Extractor

Parts Manual



Model Part No.:

- 9007478 - EX-SC-412 (120V)
- 9007488 - EX-SC-1530 (230V)
- 9007820 - EX-SC-1530 (100V)
- 9007492 - EX-SC-1530 (220V)
- 9007818 - EX-SC-1530 (240V/50hz) EMC

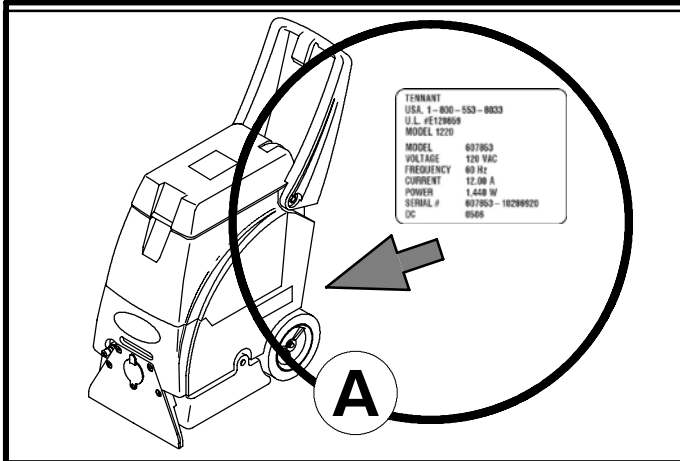


www.tennantco.com

NOBLES
www.nobles.com

9007441
Rev. 02 (07-2010)





| Ref | Part No. | Serial Number | Description | Qty. |
|-----|----------|-----------------|------------------------------|------|
| 1 | 82681 | (000000-) | Bracket Wldt, Lpg Mount | 1 |
| 2 | 63810 | (000000-) | Ch Assy, Lpg Tank Mtg, W/Nut | 4 |
| 3 | 51839 | (000000-) | at Adjustable, Lpg Tank Mtg | 2 |
| 4 | 49263 | (000000-) | Tie, Cable | 3 |
| | 82556 | (000000-001039) | Bracket, Vaporizer | 1 |
| | 54930 | (000000-) | Vaporizer | 1 |

HOW TO ORDER PARTS - See diagram above

Only use TENNANT Company supplied or equivalent parts. Parts and supplies may be ordered online, by phone, by fax or by mail.

Follow the steps below to ensure prompt delivery.

1. (A) Identify the machine model.
2. (A) Identify the machine serial number from the data label.
3. (B) Ensure the proper serial number is used from the parts list.
4. Identify the part number and quantity.
Do not order by page or reference numbers.
5. Provide your name, company name, customer ID number, billing and shipping address, phone number and purchase order number.
6. Provide detail shipping instructions.

- (C) ▽ - identifies an assembly
 ▲ - identifies parts included in assembly
 (D) ● - identifies a recommended stock item

Please fill out at time of installation for future reference.

Model No. - _____
 Serial No. - _____
 Machine Options - _____
 Sales Rep. - _____
 Sales Rep. phone no. - _____
 Customer ID Number - _____
 Installation Date - _____

Tennant Company

PO Box 1452
 Minneapolis, MN 55440
 Phone: (800) 553-8033 or (763) 513-2850

www.tennantco.com
 www.nobles.com

Specifications and parts are subject to change without notice.

Copyright © 2010 TENNANT Company, Printed in U.S.A.

| | | |
|-----------|---|--|
| CN | <p>如何订购部件 - 参见下表 仅使用 TENNANT 公司提供的或同等部件。部件和供应可以在线订购，通过电话、传真或邮件订购。 请遵循下面的步骤确保及时交付。</p> <ol style="list-style-type: none"> 1. (A) 确定机器型号。 2. (A) 从数据标签确定机器序列号。 3. (B) 确保使用部件列表中的正确序列号。 4. 确定部件号和数量。 不要按页面或参考编号订购。 5. 提供您的姓名、公司名称、客户 ID 号、付帐和送货地址、 电话号码和采购单编号。 6. 提供详细的送货说明。 <hr/> <p>(C) ▽ - 确定组件 ▲ - 确定组件中包含的组件 (D) ● - 确定建议的库存项</p> | <p>请在安装时填写供未来参考。</p> <p>型号 - _____</p> <p>序列号 - _____</p> <p>机器选项 - _____</p> <p>销售代表 - _____</p> <p>销售代表电话号码 - _____</p> <p>客户 ID 编号 - _____</p> <p>安装日期 - _____</p> |
|-----------|---|--|

| | | |
|-----------|--|---|
| ES | <p>CÓMO SOLICITAR PIEZAS - Consulte el diagrama anterior.</p> <p>Utilice sólo las piezas suministradas por TENNANT Company o piezas equivalentes. Puede solicitar las piezas a través de internet, por teléfono, por fax o por correo.</p> <p>Siga los siguientes pasos para que la entrega sea rápida.</p> <ol style="list-style-type: none"> 1. (A) Indique el modelo de máquina. 2. (A) Indique el número de serie de la etiqueta de datos. 3. (B) Asegúrese de que indica el número de serie correcto de la lista de piezas. 4. Indique la cantidad y el número de la pieza. No realice el pedido indicando el número de página o el de referencia. 5. Incluya su nombre, el nombre de la empresa, el ID de cliente, las direcciones de envío y facturación, el número de teléfono y el número del pedido de compra. 6. Facilite instrucciones de envío. <hr/> <p>(C) ▽ - identifica un conjunto ▲ - identifica piezas de un conjunto (D) ● - identifica un artículo que conviene tener en stock</p> | <p>Rellene estos datos cuando realice la instalación para utilizarlos como referencia en el futuro.</p> <p>Nº modelo - _____</p> <p>Nº serie - _____</p> <p>Opciones de la máquina - _____</p> <p>Vendedor - _____</p> <p>Nº teléfono vendedor - _____</p> <p>Nº cliente - _____</p> <p>Fecha de instalación - _____</p> |
|-----------|--|---|

| | | |
|-----------|--|---|
| FR | <p>COMMENT COMMANDER DES PIÈCES DÉTACHÉES - Voir le schéma ci-dessus.</p> <p>Utilisez uniquement des pièces fournies par la société TENNANT ou équivalentes. Les pièces et fournitures peuvent être commandées en ligne, par téléphone, fax, ou par courrier.</p> <p>Suivez les étapes ci-dessous pour assurer une livraison rapide.</p> <ol style="list-style-type: none"> 1. (A) Identifiez le modèle de la machine. 2. (A) Identifiez le numéro de série de la machine, à partir de l'étiquette signalétique. 3. (B) Assurez-vous que le numéro de série correct est utilisé à partir de la liste de pièces détachées. 4. Identifiez le numéro de pièce et la quantité. Ne commandez pas par page ou numéros de référence. 5. Fournissez votre nom, le nom de votre société, votre numéro d'identification de client, l'adresse de facturation et d'expédition, le numéro de téléphone et le numéro du bon de commande. 6. Fournissez des instructions d'expédition détaillées. <hr/> <p>(C) ▽ - identifie un assemblage ▲ - identifie les pièces composant l'assemblage (D) ● - identifie un article de stock recommandé</p> | <p>A remplir au moment de l'installation à titre de référence.</p> <p>Nº du modèle - _____</p> <p>Nº de série - _____</p> <p>Options de la machine - _____</p> <p>Agent commercial - _____</p> <p>Nº tél. de l'agent commercial - _____</p> <p>Numéro d'identification client - _____</p> <p>Date d'installation - _____</p> |
|-----------|--|---|

| | | |
|-----------|--|---|
| JP | <p>パーツの発注方法 ? 上記の図を参照してください</p> <p>TENNANT社製のパーツまたは同等品のみをお使いください。パーツやサプライ品のご注文は、オンライン、電話、FAX、または手紙でお願いいたします。</p> <p>確実にお届けできるように、以下の情報お知らせください。</p> <ol style="list-style-type: none"> 1. (A) 製品のモデル名をお知らせください。 2. (A) 製品のデータラベルに印刷されているシリアル番号をお知らせください。 3. (B) パーツリストを参照して、シリアル番号が正しいかご確認ください。 4. パーツ番号と数量をお知らせください。マニュアル/カタログの ページ番号や参照番号でのご注文はご遠慮ください。 5. お客様のお名前、会社名、顧客ID番号、請求/発送先住所、電話番号、注文書番号をお知らせください。 6. 発送に関するご希望があれば、明記してください。 <hr/> <p>(C) ▽ - アセンブリを示します ▲ - アセンブリに含まれるパーツを示します (D) ● - 当社推薦の在庫用品を示します</p> | <p>後日確認できるように、設置時に記入してください。</p> <p>モデルNo. - _____</p> <p>シリアルNo. - _____</p> <p>製品のオプション - _____</p> <p>販売代理店 - _____</p> <p>販売代理店の電話番号 - _____</p> <p>顧客ID番号 - _____</p> <p>設置日 - _____</p> |
|-----------|--|---|

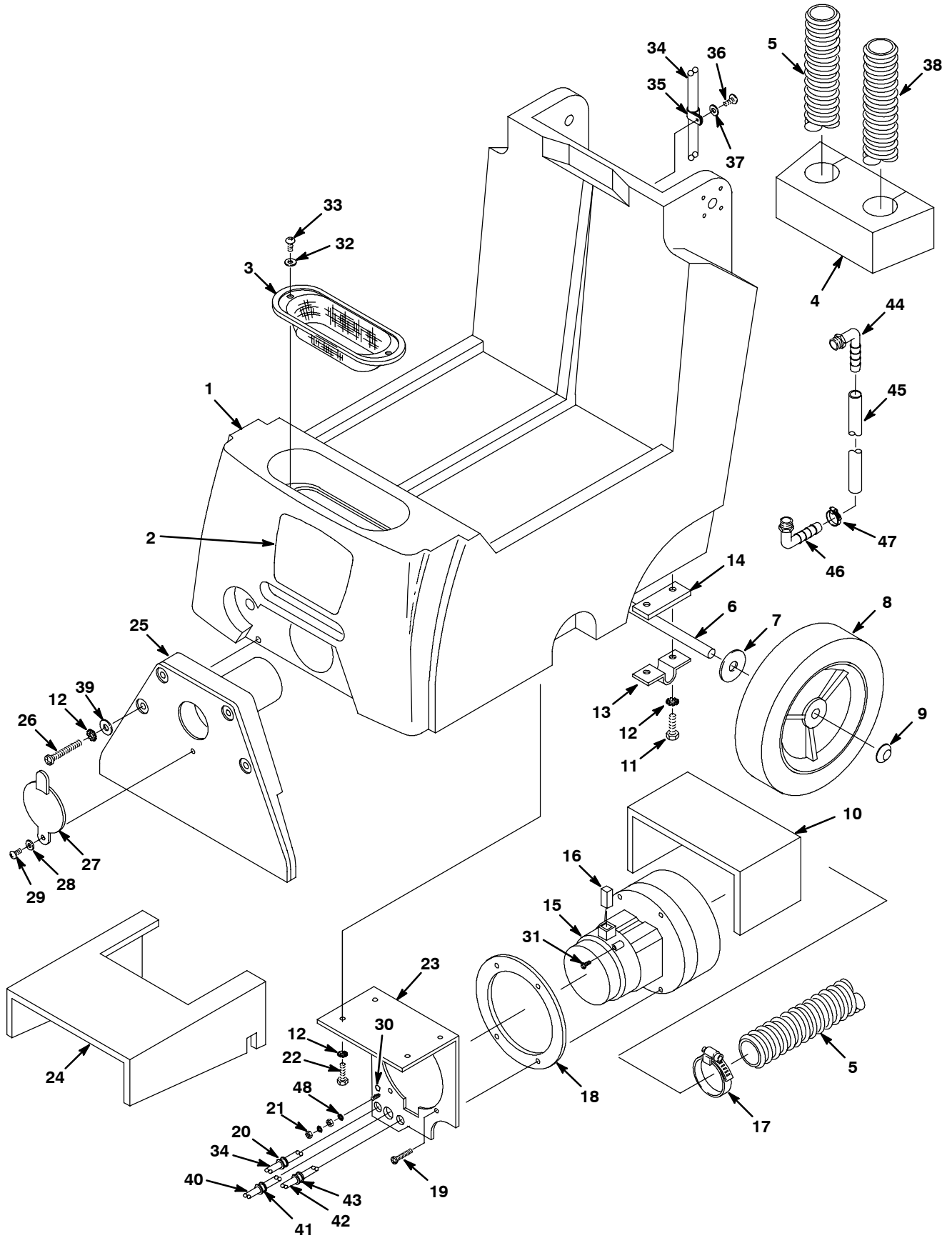
STANDARD PARTS

SOLUTION TANK GROUP - 1 of 2 6
SOLUTION TANK GROUP - 2 of 2 8
RECOVERY TANK GROUP 10
HANDLE GROUP 12
REAR PANEL GROUP 14
BRUSH GROUP 16
SOLUTION GROUP 18
WIRING DIAGRAM, 100V/120V 20
LADDER DIAGRAM, 100V/120V 21
WIRING DIAGRAM, 220V/230V 22
LADDER DIAGRAM, 220V/230V 23
WIRING DIAGRAM, 240V EMC 24
LADDER DIAGRAM, 240V EMC 25

OPTIONS

HAND TOOL GROUP (NEW STYLE) 26
HAND TOOL GROUP (OLD STYLE) 27

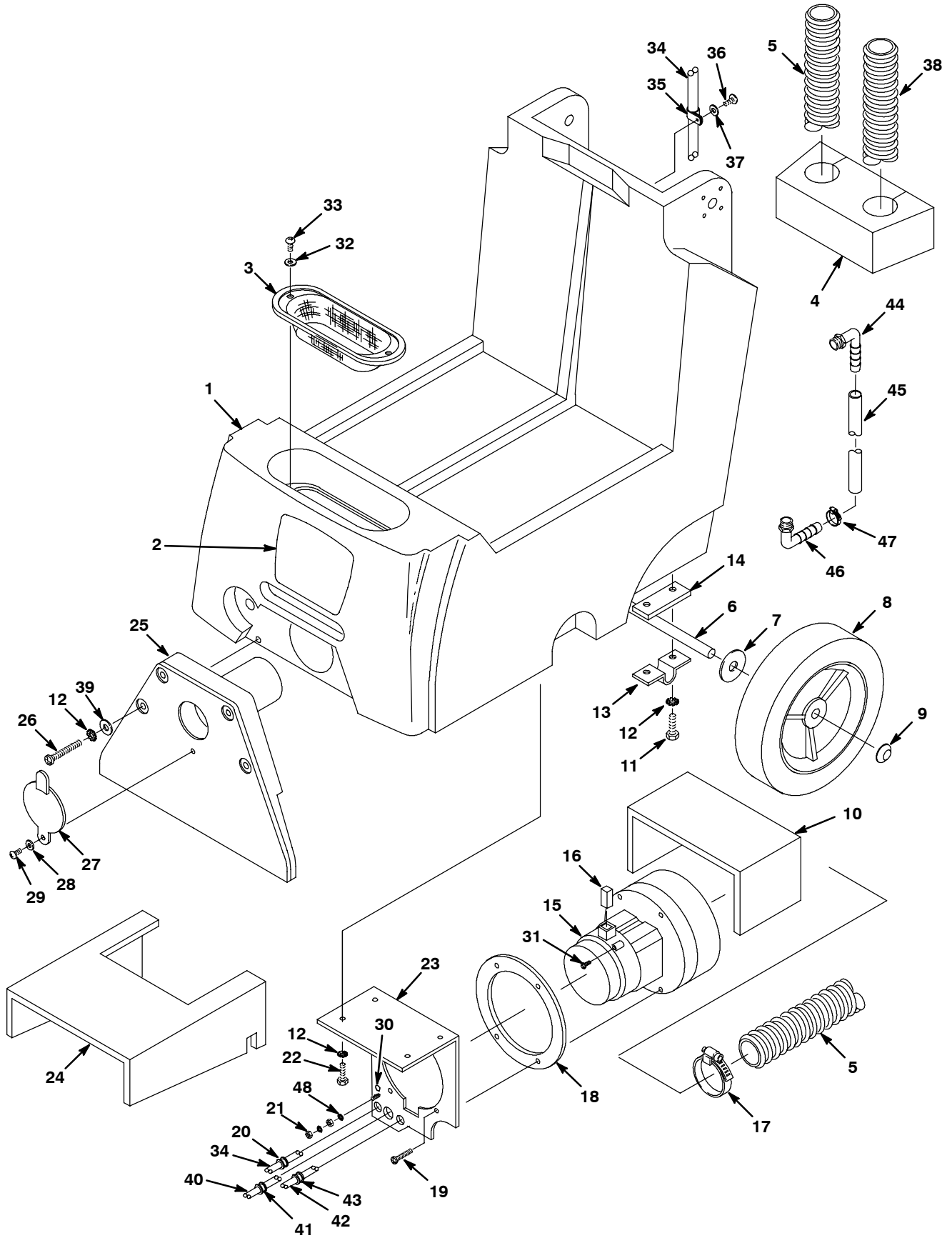
SOLUTION TANK GROUP - 1 of 2



SOLUTION TANK GROUP - 1 of 2

| Ref. | Part No. | Serial Number | Description | Qty. |
|------|----------|---|--|------|
| 1 | 9007670 | (00000000- |) Tank, Soltn, Rmcphg, Trimmed [Ex-Sc-412] | 1 |
| 2 | 1060464 | (00000000- |) Label, Logo, Cmdty, Dual, Large | 1 |
| 2 | 1060462 | (00000000- |) Label, Logo, Cmdty, Tco, Large | 1 |
| 3 | 611823 | (00000000- |)● Screen, Strainer | 1 |
| 4 | 609063 | (00000000- |) Insulation, Acstc, 2.0, 07.8 X 03.3 | 1 |
| 5 | 607276 | (00000000- |)● Hose, Vacuum, 1.50id X 021.6l,1-E90 Cuff | 1 |
| 6 | 230739 | (00000000- |) Axle, Wheel .5d X 13.13 | 1 |
| 7 | 140045 | (00000000- |) Washer, Flat, 0.51b 1.25d .06, Ss | 2 |
| 8 | 607277 | (00000000- |)● Wheel, 08.0d 1.75w, Smooth Gray | 2 |
| 9 | 103019 | (00000000- |) Nut, Retainer, 0.50d 0.29l, Ss | 2 |
| 10 | 607181 | (00000000- |) Insulation, Acstc, 0.5, 22.0 X 05.0 Adh | 1 |
| 11 | 600385 | (00000000- |) Screw, Pan, Phl, M6 X 1.00 X 20, Ss | 4 |
| 12 | 140052 | (00000000- |) Washer, Lock, Ext, 0.25 Ss | 12 |
| 13 | 230746 | (00000000- |) Bracket, Axle, .5d, Offset | 2 |
| 14 | 609111 | (00000000- |) Plate, Shim, 25 X .50 X 1.25 | 2 |
| ▽ | 15 | 607179 | (00000000-)● Fan, Vacuum, 5.7d, 120vac, 2 Stage [Qbp] (100V/120V) | 1 |
| ▲ | 16 | 190155 | (00000000-)● Brush, Carbon [130402,18,14, 1pick=1pkg] | 1 |
| ▽ | 15 | 607281 | (00000000-)● Fan, Vacuum, 5.7d, 240vac, 2 Stage [Qbp] (220V/230V/240V) | 1 |
| ▲ | 16 | 190158 | (00000000-)● Brush, Carbon [130403, 1pick=1pkg] | 1 |
| 17 | 614157 | (00000000-)● Clamp, Hose, Wormdrive, 1.06-2.00d, .50w | 1 | |
| 18 | 100143 | (00000000-)● Gasket, Motor, Vacuum, 5.7 | 1 | |
| 19 | 140340 | (00000000-) Screw, Pan, Phl, 10-24 X 0.62, Ss[Typ25] | 4 | |
| 20 | 14865 | (00000000-) Strainrelief, Bshg [Sr6p3-4] | 1 | |
| 21 | 07784 | (00000000-) Nut, Hex, Std, M5 X 0.80, A2, Ss | 2 | |
| 22 | 608322 | (00000000-) Screw, Trs, M6 X 1.00 X 16, Phl, Ss | 4 | |
| 23 | 610997 | (00000000-) Plate, Mtg, Motor, Vacuum [5.7] | 1 | |
| 24 | 609064 | (00000000-) Insulation, Acstc, 0.5, 19.0 X 10.0 Ntch | 1 | |
| ▽ | 25 | 607170 | (00000000-)● Tool Assy, Pickup, 13w [1200, Gf Ny] | 1 |
| ▲ | 26 | 608324 | (00000000-) Screw, Trs, M6 X 1.00 X 40, Phl, Ss | 4 |
| ▲ | 27 | 607183 | (00000000-)● Seal, Cap, Vacuum Tool [607170] | 1 |
| ▲ | 28 | 140011 | (00000000-) Washer, Flat, 0.21b 0.45d .03, Ss | 1 |
| ▲ | 29 | 140801 | (00000000-) Screw, Trs, Phl, 08-32 X 0.38, Ss | 1 |
| 30 | 578859 | (00000000-) Label, Warning [Ground, Textless] | 1 | |
| 31 | 140897 | (00000000-) Screw, Hex, Sltd, 10-32 X 0.25 [Ground] | 1 | |
| 32 | 140032 | (00000000-) Washer, Flat, 06, Ss | 2 | |
| 33 | 140826 | (00000000-) Screw, Pan, Phl, 06-20 X 0.75, Fmg/Ab,Ss | 2 | |
| 34 | 611305 | (00000000-) Cord, 18ga /2, 066.0l Blk [Sjt] | 1 | |
| 35 | 140324 | (00000000-) Clamp, Cable, Nyl, 0.31d, Blk | 1 | |
| 36 | 140340 | (00000000-) Screw, Pan, Phl, 10-24 X 0.62, Ss[Typ25] | 1 | |
| 37 | 140011 | (00000000-) Washer, Flat, 0.21b 0.45d .03, Ss | 1 | |
| 38 | 607275 | (00000000-)● Hose, Vacuum, 1.50id X 039.1l, 2cuff,E90 | 1 | |
| 39 | 140027 | (00000000-) Washer, Flat, 0.35b 0.75d .04, Ss | 4 | |
| 40 | 611040 | (00000000-) Cord, 18ga /4, 041.0l Blk [Sjt] | 1 | |

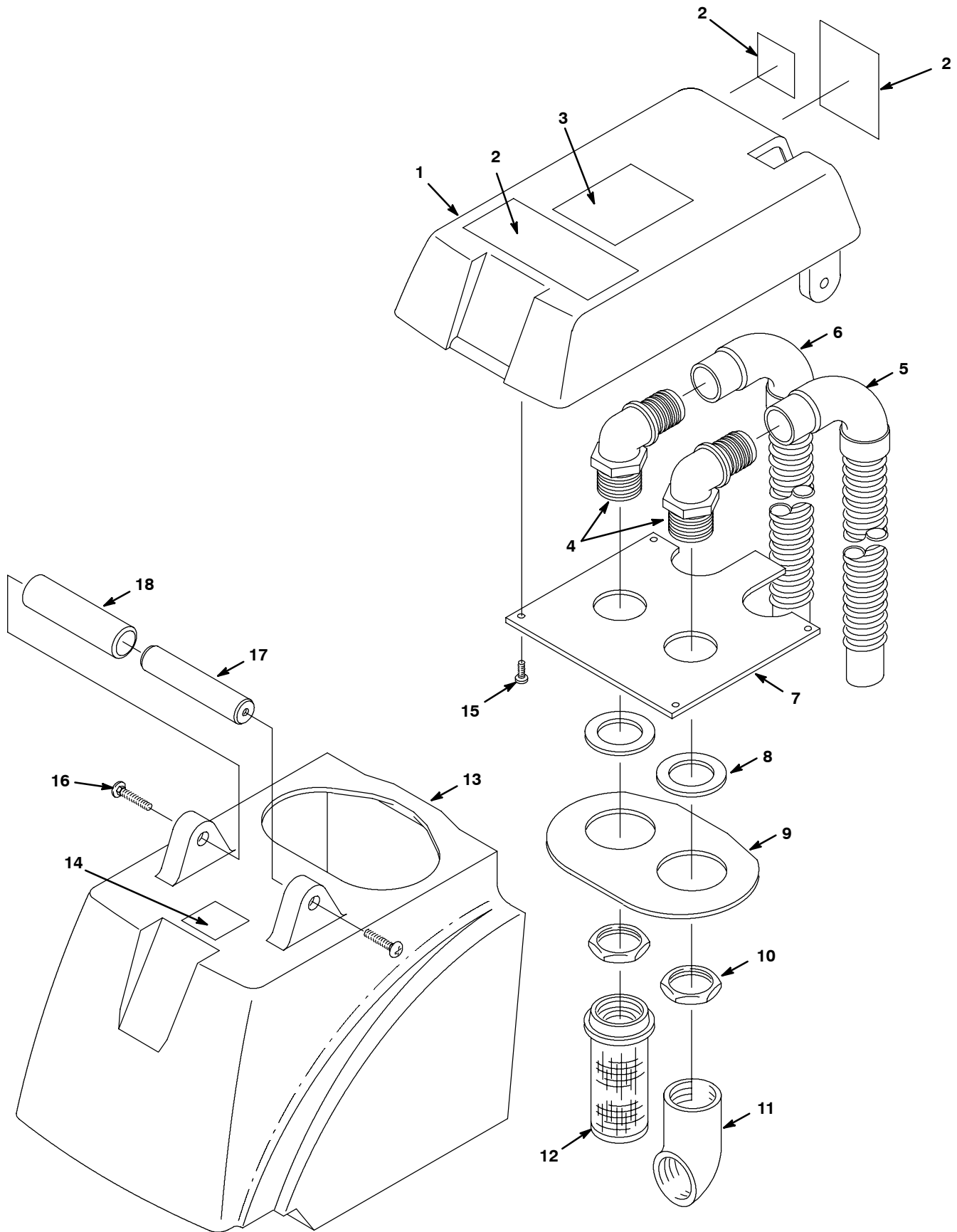
SOLUTION TANK GROUP - 2 of 2



SOLUTION TANK GROUP - 2 of 2

| Ref. | Part No. | Serial Number | Description | Qty. |
|------|----------|---------------|--|------|
| 41 | 605395 | (00000000- |) Strainrelief, Bshg [Sr7p-2] | 1 |
| 42 | 611041 | (00000000- |) Cord, 18ga /5, 054.0l Blk [Sjt] | 1 |
| 43 | 130698 | (00000000- |) Bushing, Snap, .50id, Blk | 1 |
| 44 | 609112 | (00000000- |) Fitting, Plstc, E90, Bm06/Pm04, Rwk | 1 |
| 45 | 608334 | (00000000- |)● Hose, Drain, 0.50id X 20.0l, Vyl [5100] | 1 |
| 46 | 150415 | (00000000- |) Fitting, Plstc, E90, Bm06/Pm04 | 1 |
| 47 | 140301 | (00000000- |) Clamp, Hose, Ear, 0.62d | 1 |
| 48 | 07514 | (00000000- |) Washer Lock, Int, 10 Ss | 2 |

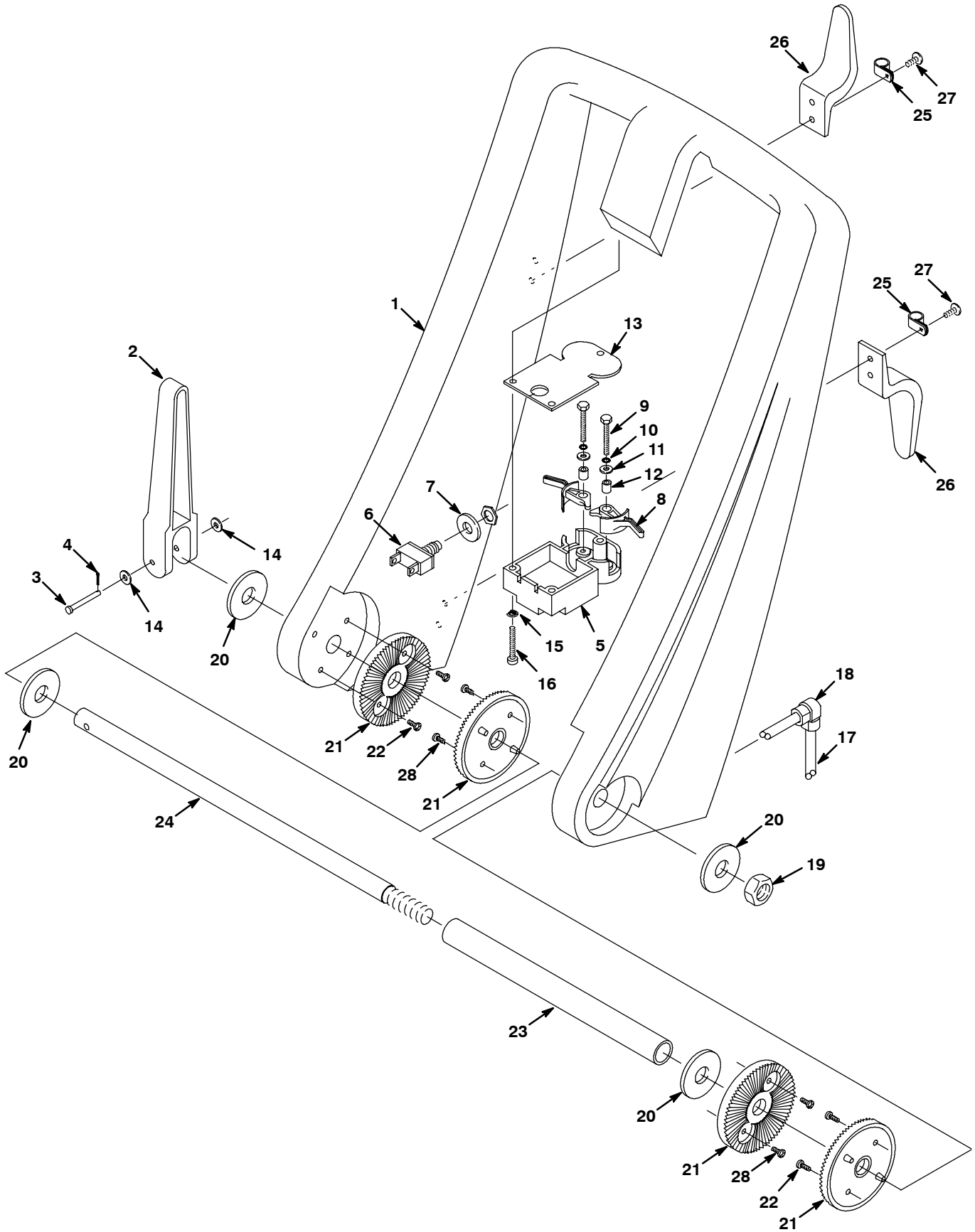
RECOVERY TANK GROUP



RECOVERY TANK GROUP

| | Ref. | Part No. | Serial Number | Description | Qty. |
|---|------|----------|---------------|---|------|
| ▽ | 1 | 9007672 | (00000000- |) Cover, Rm-Cphg, Afmkt [412] (NA) | 1 |
| ▲ | 2 | 1026383 | (00000000- |) Label, Warning [Expl,Fire,Shk En/Fr/Es] | 1 |
| ▽ | 1 | 9007892 | (00000000- |) Cover, Rm-Cphg, Afmkt Jp [412] (Japan) | 1 |
| ▲ | 2 | 613861 | (00000000- |) Label, Warning, 4 X 3, Tj [Ac Scrub/Ext] | 1 |
| ▽ | 1 | 9007893 | (00000000- |) Cover, Rm-Cphg, Afmkt Ch [412] (China) | 1 |
| ▲ | 2 | 1048798 | (00000000- |) Label, Warning [Exp,Fire,Shk En,Es,Ch] | 1 |
| | 3 | 611380 | (00000000- |) Label, Instr, Rental (NA) | 1 |
| | 3 | 611042 | (00000000- |) Label, Instr [Marksman2] (Japan & China) | 1 |
| | 4 | 607297 | (00000000- |) Fitting, Pvc, E90, Bm24/Pm24 | 2 |
| | 5 | 607275 | (00000000- |)● Hose, Vacuum, 1.50id X 039.1l, 2cuff,E90 | 1 |
| | 6 | 607276 | (00000000- |)● Hose, Vacuum, 1.50id X 021.6l,1-E90 Cuff | 1 |
| | 7 | 607172 | (00000000- |) Cover, Plate, .12 X 8.63 X 9, Blk Abs | 1 |
| | 8 | 210234 | (00000000- |)● Gasket, .18, 1.18id 2.50od | 2 |
| | 9 | 607290 | (00000000- |)● Gasket, Ring, Bag, .188th, Neo | 1 |
| | 10 | 210240 | (00000000- |) Nut, Hex, Flng, Pf24, Metal | 2 |
| | 11 | 609065 | (00000000- |) Fitting, Pvc, E90,Pf24/1.50d[Rwk611063] | 1 |
| | 12 | 609531 | (00000000- |)● Float, Shutoff, Vacuum, 1-Ball, 1.50d | 1 |
| | 13 | 9007674 | (00000000- |) Tank, Recvy, Rm-Cphg, Afmkt [412] | 1 |
| | 14 | 630420 | (00000000- |) Label, Hzrd, Flammable Matl, Ce | 1 |
| | 15 | 607006 | (00000000- |) Screw, Trs, M4 X 0.70 X 12, Phl, Pl | 4 |
| | 16 | 608324 | (00000000- |) Screw, Trs, M6 X 1.00 X 40, Phl, Ss | 2 |
| | 17 | 607294 | (00000000- |) Bar, 1.0d X 4.5, Nyl | 1 |
| | 18 | 102569 | (00000000- |)● Grip, Handle, Foam, Blk .75id X 4.25l | 1 |

HANDLE GROUP



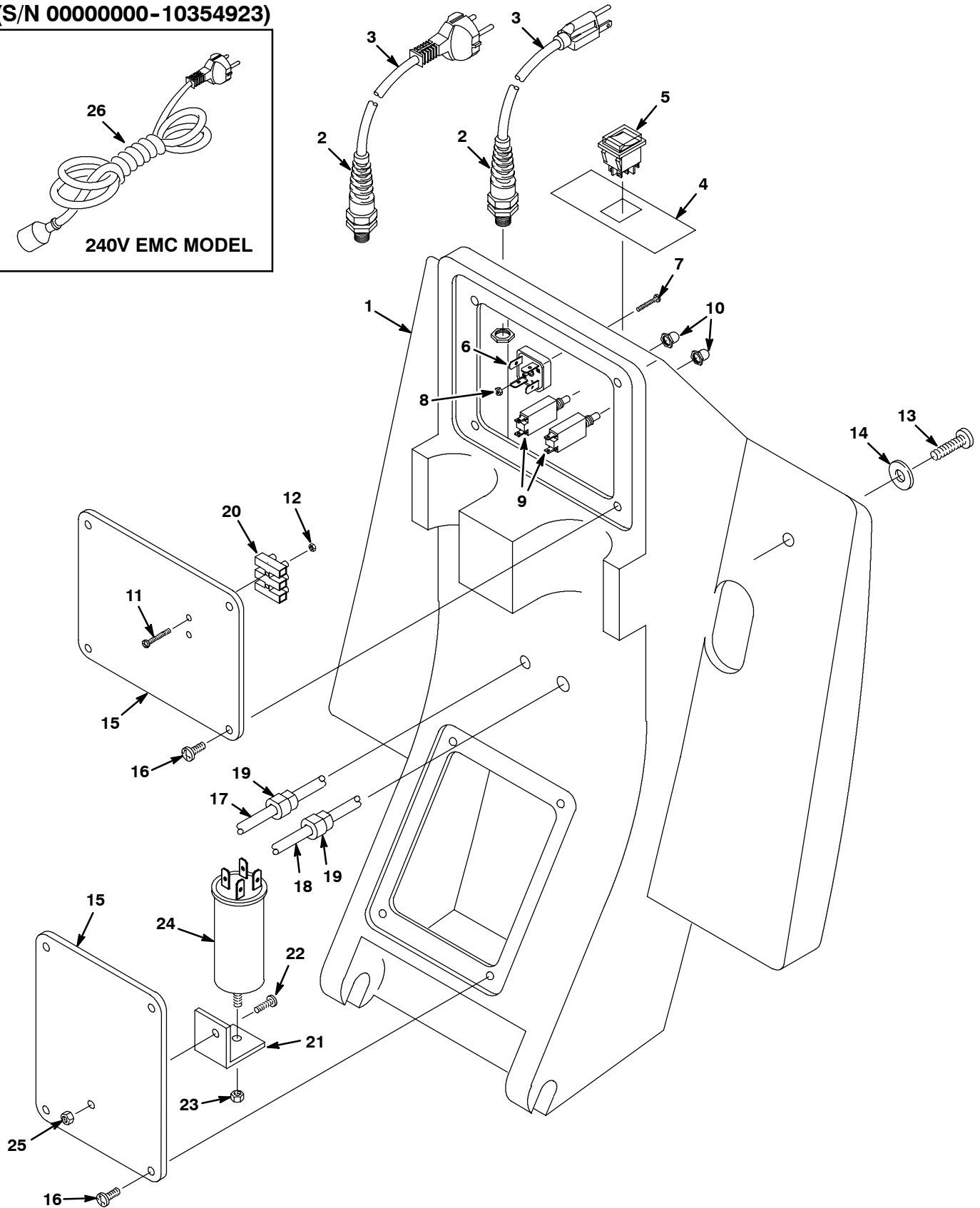
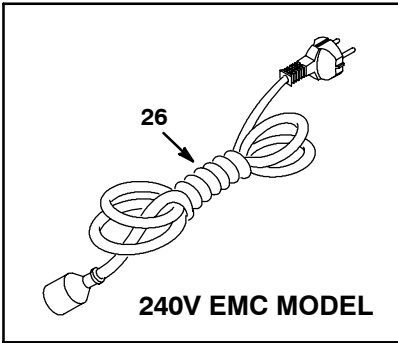
HANDLE GROUP

| Ref. | Part No. | Serial Number | Description | Qty. | |
|------|----------|---------------|---------------------------------------|---|---|
| 1 | 9007676 | (00000000- |) Handle, Rm-Blk, Trimmed [Ex-Sc-412] | 1 | |
| 2 | 607315 | (00000000- |)● Lever, Handle, Pivot [Camlock] | 1 | |
| 3 | 607278 | (00000000- |) Pin, Clevis, 0.19d X 1.25l, PI | 1 | |
| 4 | 39005 | (00000000- |) Pin, Cotter, .094 X 0.75 | 1 | |
| ∇ | 5 | 611469 | (00000000- |) Controlbox Assy, Trigger [5100/1200] | 1 |
| ▲ | 6 | 130712 | (00000000- |) Switch, Push, Spst, No | 1 |
| ▲ | 7 | 578430 | (00000000- |) Washer, Flat, 0.50d, PI [Spring-Disc] | 1 |
| ▲ | 8 | 578002000 | (00000000- |) Arm, Controlbox, Trigger | 2 |
| ▲ | 9 | 069764190 | (00000000- |) Screw, Hex, M3 X .5 X 16 | 2 |
| ▲ | 10 | 39658 | (00000000- |) Washer, Lock, Int, 04 | 2 |
| ▲ | 11 | 578186000 | (00000000- |) Washer, Flat, M4, PI | 2 |
| ▲ | 12 | 578082000 | (00000000- |) Tube, Plstc, 0.14id 0.31od 00.4l, Nyl | 2 |
| | 13 | 606349 | (00000000- |) Gasket, Console, Trigger | 1 |
| | 14 | 140011 | (00000000- |) Washer, Flat, 0.21b 0.45d .03, Ss | 2 |
| | 15 | 02938 | (00000000- |) Washer, Lock, Int, 08, Ss | 3 |
| | 16 | 200070354 | (00000000- |) Screw, Pan, Phl, M4 X 0.70 X 30, PI | 3 |
| | 17 | 611305 | (00000000- |) Cord, 18ga /2, 066.0l Blk [Sjt] | 1 |
| | 18 | 608323 | (00000000- |) Strainrelief, Bshg [Sr10-2] | 1 |
| | 19 | 08711 | (00000000- |) Nut, Hex, Lock, M12 X 1.75, NI | 1 |
| | 20 | 140045 | (00000000- |) Washer, Flat, 0.51b 1.25d .06, Ss | 4 |
| | 21 | 607175 | (00000000- |)● Serrated Pad - Pivot Handle | 4 |
| | 22 | 609062 | (00000000- |) Screw, Trs, M5 X 0.80 X 12, Phl, Ss | 4 |
| | 23 | 608419 | (00000000- |) Tube, 0.50id 0.62od 07.4l, Stl, PI | 1 |
| | 24 | 607177 | (00000000- |) Shaft, Pivot .5d X 13.25 | 1 |
| | 25 | 140324 | (00000000- |) Clamp, Cable, Nyl, 0.31d, Blk | 2 |
| | 26 | 230920.BK | (00000000- |) Hook, Cord, Blk [Boss] | 2 |
| | 27 | 607006 | (00000000- |) Screw, Trs, M4 X 0.70 X 12, Phl, PI | 4 |
| | 28 | 608322 | (00000000- |) Screw, Trs, M6 X 1.00 X 16, Phl, Ss | 4 |

STANDARD PARTS

REAR PANEL GROUP

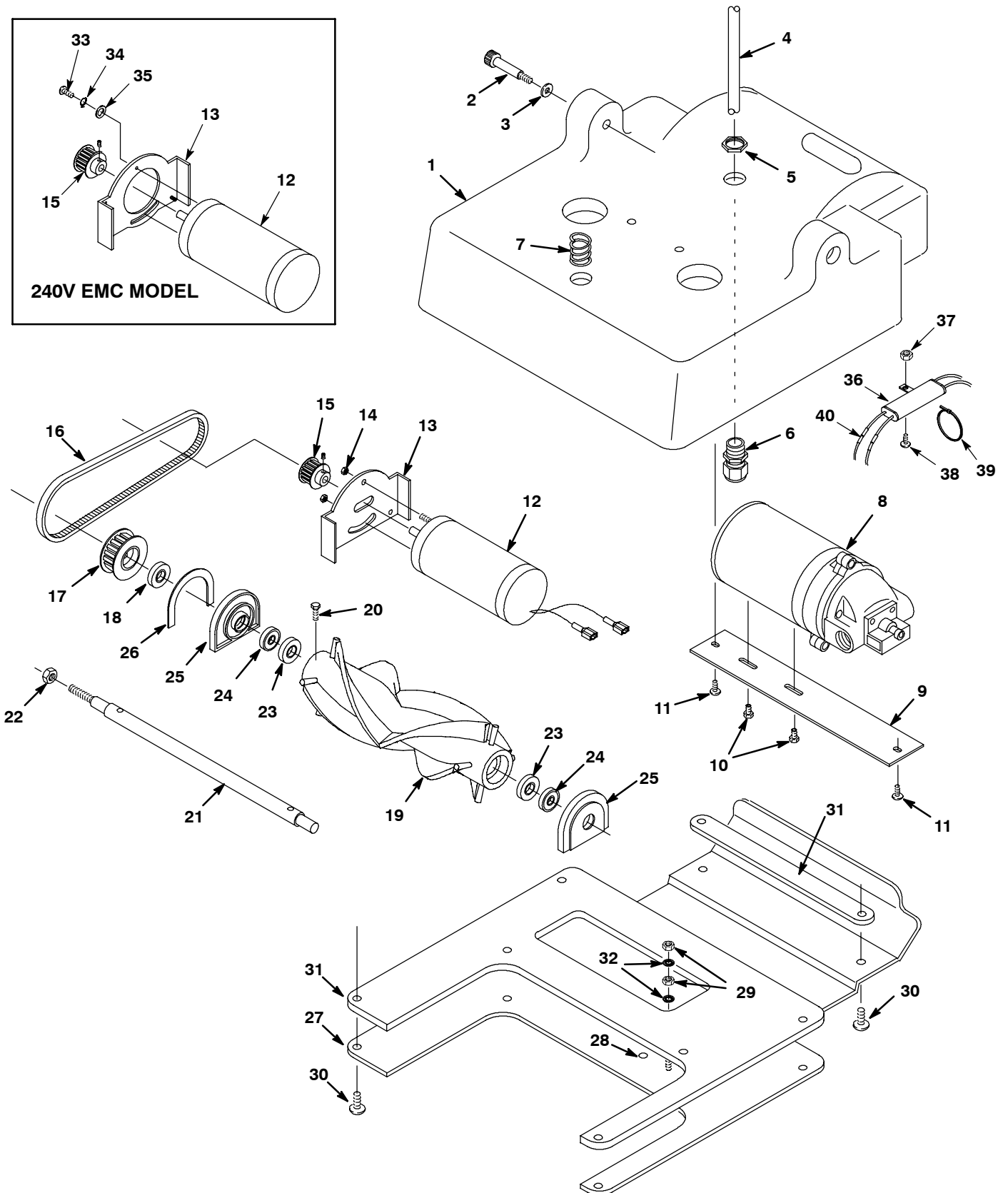
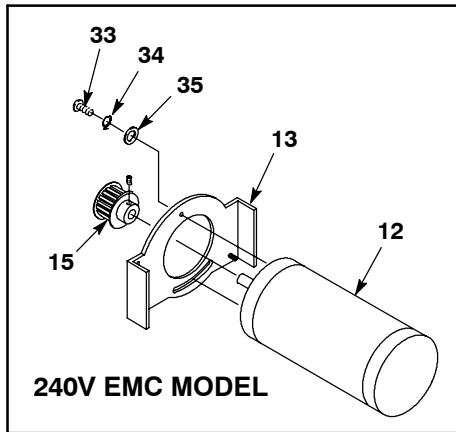
(S/N 0000000-10354923)



REAR PANEL GROUP

| Ref. | Part No. | Serial Number | Description | Qty. |
|------|-----------|--------------------|---|------|
| 1 | 608446 | (00000000- |) Panel, Rear, Rm-Blk, Trimmed | 1 |
| 2 | 130166 | (00000000- |)● Grip, Cord, Strainrelief Pg-11 W/Nut Bk | 1 |
| 3 | 130222 | (00000000- |)● Cord, 16ga /3, 25ft Yel [Sjto] (100V/120V) | 1 |
| 3 | 600324 | (00000000- |)● Cord, Power, 1.5mm2/3 Blk [15meter Euro] (220V/230V) | 1 |
| 3 | 1038777 | (10354924- |)● Cord, Power, 1.0mm/3 Blk [15meter, Aus] (240V EMC) | 1 |
| 3 | 609930 | (00000000-10354923 |)● Cord, 1.5mm2/3, Blk, W/ Receptacle (240V EMC) | 1 |
| 4 | 611044 | (00000000- |) Label [Switch, Marksman2] | 1 |
| 5 | 1044804 | (00000000- |)● Switch, Rocker, Dpst, On-Off, W/ Cover | 1 |
| 6 | 130304 | (00000000- |)● Rectifier, Bridge, 600v, 15a | 1 |
| 7 | 140335 | (00000000- |) Screw, Rnd, Slted, 10-24 X 1.00, Nyl | 1 |
| 8 | 140336 | (00000000- |) Nut, Hex, #10-24, Nyl | 1 |
| 9 | 578337000 | (00000000- |)● Circuitbreaker, 01.5a | 2 |
| 10 | 578734 | (00000000- |)● Seal, Splash, Circuitbreaker | 2 |
| 11 | 140879 | (00000000- |) Screw, Rnd, Slted, 06-32 X 0.75, Nyl (220V/230V/240V) | 2 |
| 12 | 140534 | (00000000- |) Nut, Hex, #06-32, Nyl (220V/230V/240V) | 2 |
| 13 | 600385 | (00000000- |) Screw, Pan, Phl, M6 X 1.00 X 20, Ss | 2 |
| 14 | 140027 | (00000000- |) Washer, Flat, 0.35b 0.75d .04, Ss | 2 |
| 15 | 608420 | (00000000- |) Cover, Plate, .09 X 4 X 5, Abs [Lk] | 2 |
| 16 | 607006 | (00000000- |) Screw, Trs, M4 X 0.70 X 12, Phl, Pl | 8 |
| 17 | 611040 | (00000000- |) Cord, 18ga /4, 041.0l Blk [Sjt] | 1 |
| 18 | 611041 | (00000000- |) Cord, 18ga /5, 054.0l Blk [Sjt] | 1 |
| 19 | 605395 | (00000000- |) Strainrelief, Bshg [Sr7p-2] | 2 |
| 20 | 130005 | (00000000- |) Terminal, 25a, 3 Position Strip (220V/230V/240V) | 1 |
| 21 | 603957 | (00000000- |) Bracket, Fltr [Rfi] (240V EMC) | 1 |
| 22 | 607006 | (00000000- |) Screw, Trs, M4 X 0.70 X 12, Phl, Pl (240V EMC) | 1 |
| 23 | 07786 | (00000000- |) Nut, Hex, Std, M8 X 1.25, Ss (240V EMC) | 1 |
| 24 | 600383 | (00000000- |)● Filter [Rfi] (240V EMC) | 1 |
| 25 | 1049573 | (00000000- |) Nut, Hex, Std, M4 X 0.70 Ss (240V EMC) | 1 |
| 26 | 609931 | (00000000-10354923 |)● Cord, Extn, 1.5mm2/3 Blk [15meter, Euro] (240V EMC) | 1 |

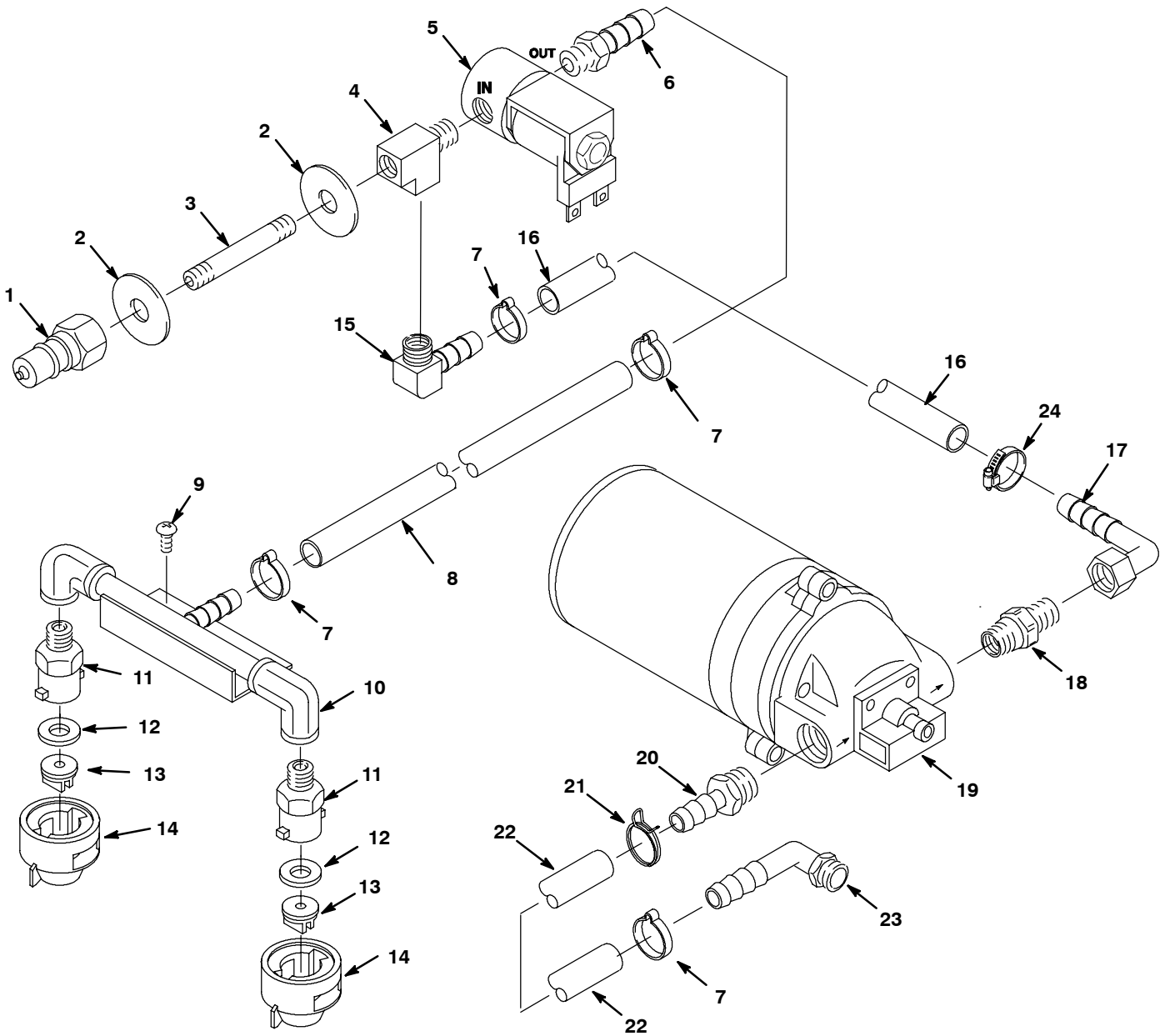
BRUSH GROUP



BRUSH GROUP

| Ref. | Part No. | Serial Number | Description | Qty. | |
|------|----------|---------------|---|---|---|
| 1 | 610995 | (00000000- |) Base, 4.0gal, Rm-Blk, Trimmed | 1 | |
| 2 | 1024965 | (00000000- |) Bolt, Shld, 08mmd X 030mm, M06 X 1.0 | 2 | |
| 3 | 140027 | (00000000- |) Washer, Flat, 0.35b 0.75d .04, Ss | 2 | |
| 4 | 611041 | (00000000- |) Cord, 18ga /5, 054.0l Blk [Sjt] | 1 | |
| 5 | 140638 | (00000000- |) Nut, Hex, Pf08, Blk Nyl [Conduit] | 1 | |
| 6 | 130181 | (00000000- |) Grip, Cord, Strainrelief, .50npt | 1 | |
| 7 | 611039 | (00000000- |) Spring, Cmpr, 0.60od .04wir 01.5l, Pl,Mw | 1 | |
| 8 | 606778 | (00000000- |)● Pump, Soltn, Ele, 115vac, 65psi[Int-Byp] (100V/120V) | 1 | |
| 8 | 611975 | (00000000- |)● Pump, Soltn, Ele, 230vdc, 65psi Ce [Tuv] (220V/230V/240V) | 1 | |
| 9 | 610958 | (00000000- |) Plate, Mtg, Pump [Shurflo] | 1 | |
| 10 | 140751 | (00000000- |) Screw, Hex, 10-32 X 0.50, Pl | 2 | |
| 11 | 607006 | (00000000- |) Screw, Trs, M4 X 0.70 X 12, Phl, Pl | 2 | |
| 12 | 1019015 | (00000000- |)● Motor, Ele, 115vdc 0.125hp, 3.0d (100V/120V) | 1 | |
| 12 | 130472 | (00000000- |)● Motor, Ele, 220vac, Brush Drive (220V/230V) | 1 | |
| 12 | 575729 | (00000000- |)● Motor, Brush, 230vac [843p-5] (240 EMC) | 1 | |
| 13 | 230366 | (00000000- |) Plate, Mount, Motor (100V/120V/220V/230V) | 1 | |
| 13 | 611032 | (00000000- |) Plate, Mtg, Brush Motor (240 EMC) | 1 | |
| 14 | 140518 | (00000000- |) Nut, Hex, Lock, #10-32, Kep, Ss (100V/120V/220V/230V) | 2 | |
| 15 | 230506 | (00000000- |)● Pulley, Drive, 15tooth X .31b [1/5p] | 1 | |
| 16 | 230507 | (00000000- |)● Belt, Synchronous, 0.38 0.20p 18.0l | 1 | |
| ▽ | 613989 | (00000000- |)● Brush Kit, Replmt [Extractor] | 1 | |
| ▲ | 17 | 230505 | (00000000- |)● Pulley, Drive, 26tooth X .31b [1/5p] | 1 |
| ▲ | 18 | 230363 | (00000000- |) Spacer, 0.33b 0.62d 0.16l, Pl | 1 |
| ▲ | 19 | 1006441 | (00000000- |)● Brush, Scb, 10.5l, 04sr, Nyl | 1 |
| ▲ | 20 | 24672 | (00000000- |) Screw, Hex, .25-20 X 0.75, Ss | 4 |
| ▲ | 21 | 230275 | (00000000- |) Shaft, Brush, 13.0l [Pe1300] | 1 |
| ▲ | 22 | 140548 | (00000000- |) Nut, Hex, Jam, Fin .31, Ss | 1 |
| ▲ | 23 | 100049 | (00000000- |)● Seal, Brush, Brg | 2 |
| ▲ | 24 | 140125 | (00000000- |)● Bearing, Brush, 0.32b 0.87d 0.28w | 2 |
| ▲ | 25 | 230261 | (00000000- |)● Block, Brush Brg | 2 |
| ▲ | 26 | 100005 | (00000000- |)● Gasket, Block, Brg | 1 |
| | 27 | 610986 | (00000000- |) Plate, Base, Brush | 1 |
| | 28 | 578859 | (00000000- |) Label, Warning [Ground, Textless] | 1 |
| | 29 | 07784 | (00000000- |) Nut, Hex, Std, M5 X 0.80, A2, Ss | 2 |
| | 30 | 609062 | (00000000- |) Screw, Trs, M5 X 0.80 X 12, Phl, Ss | 8 |
| | 31 | 610987 | (00000000- |) Gasket, Plt, Base, .13th, Adh (100V/120V/220V/230V) | 1 |
| | 31 | 610987 | (00000000- |) Gasket, Plt, Base, .13th, Adh (240 EMC) | 2 |
| | 32 | 07514 | (00000000- |) Washer, Lock, Int, 10, Ss (240 EMC) | 2 |
| | 33 | 140801 | (00000000- |) Screw, Trs, Phl, 08-32 X 0.38, Ss (240 EMC) | 2 |
| | 34 | 02938 | (00000000- |) Washer, Lock, Int, 08, Ss (240 EMC) | 2 |
| | 35 | 140011 | (00000000- |) Washer, Flat, 0.21b 0.45d .03, Ss (240 EMC) | 2 |
| | 36 | 613147 | (00000000- |)● Filter Assy, 240volt [Rfi, Kema, 1200] (240 EMC) | 1 |
| | 37 | 1049573 | (00000000- |) Nut, Hex, Jam, M4 X 0.70, Ss (240 EMC) | 1 |
| | 38 | 607006 | (00000000- |) Screw, Trs, M4 X 0.70 X 12, Phl, Pl (240 EMC) | 1 |
| | 39 | 130040 | (00000000- |) Tie, Cable, Nyl, 06.0l .12w (240 EMC) | 2 |
| | 40 | 603641 | (00000000- |)● Filter, Choke [Rfi] (240 EMC) | 2 |

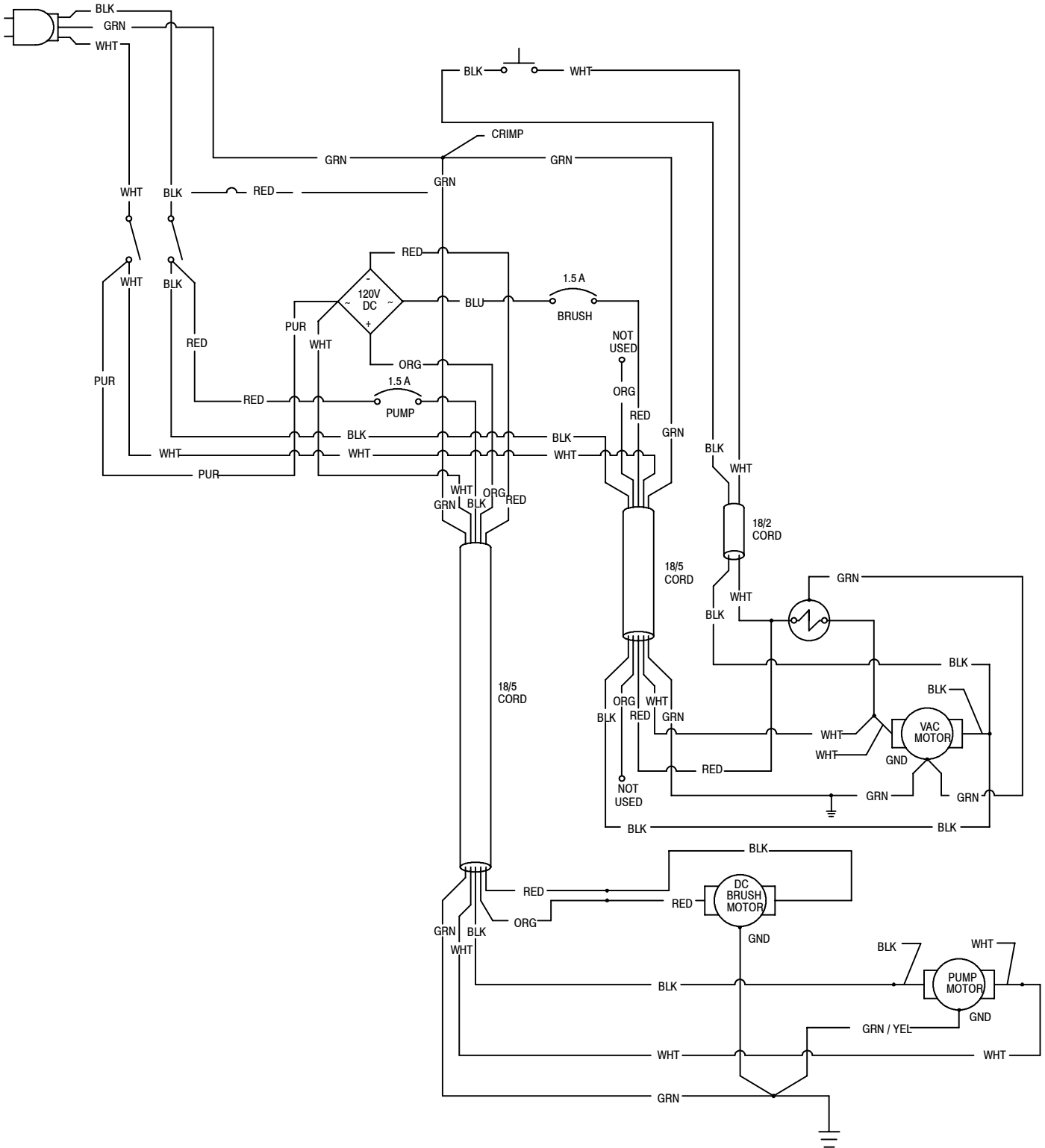
SOLUTION GROUP



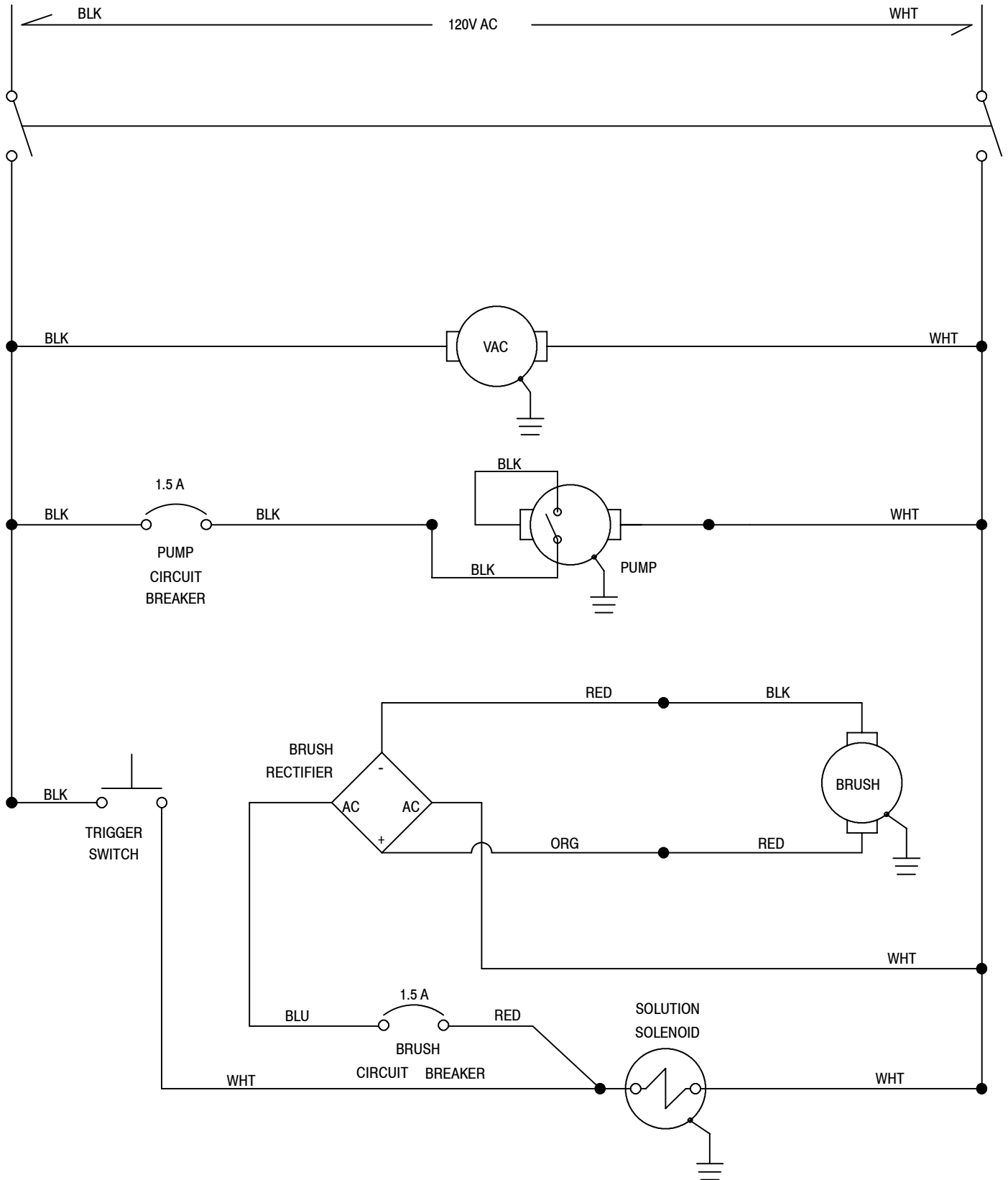
SOLUTION GROUP

| Ref. | Part No. | Serial Number | Description | Qty. |
|------|-----------|---------------|---|------|
| 1 | 150933 | (00000000- |) Fitting, Brs, Qdc, Pm04 [Ser60] | 1 |
| 2 | 140008 | (00000000- |) Washer, Flat, 0.57b 1.28d .08, Ss | 2 |
| 3 | 150618 | (00000000- |) Fitting, Brs, Str, Pm04x3.0 [Nipl Taped] | 1 |
| 4 | 150709 | (00000000- |) Fitting, Brs, Tee, Pm04/Pf04/Pf04, Run | 1 |
| 5 | 210033 | (00000000- |)● Valve, Water, Solenoid, 120vac Pf04/Pf04 (100V/120V) | 1 |
| 5 | 210036 | (00000000- |)● Solenoid, 220vac [50h 1/8o] (220V/230V) | 1 |
| 5 | 210260 | (00000000- |)● Valve, Solenoid, 240vac 50hz [Aus] (240 EMC) | 1 |
| 6 | 150516 | (00000000- |) Fitting, Brs, Str, Bm06/Pm04 | 1 |
| 7 | 140301 | (00000000- |)● Clamp, Hose, Ear, 0.62d | 5 |
| 8 | 609434 | (00000000- |) Hose, Pvc, Brd, 0.38id 0.62od 10.5l,Gray | 1 |
| 9 | 609062 | (00000000- |) Screw, Trs, M5 X 0.80 X 12, Phl, Ss | 2 |
| 10 | 608421 | (00000000- |) Fitting Assy, Manifold, 2 Jet | 1 |
| 11 | 575281000 | (00000000- |)● Fitting, Spray, Body [Quick-Jet] | 2 |
| 12 | 575276000 | (00000000- |)● Fitting, Gasket [Quick-Jet] | 2 |
| 13 | 200964 | (00000000- |)● Fitting, Brs, Tip [11003, T-Jet] | 2 |
| 14 | 575282000 | (00000000- |)● Fitting, Cap [Q-Jet] | 2 |
| 15 | 150419 | (00000000- |) Fitting, Brs, E90, Bm06/Pm04 [Taped] | 1 |
| 16 | 606163 | (00000000- |) Hose, Pvc, Brd, 0.38id 0.62od 22.0l,Gray | 1 |
| 17 | 611010 | (00000000- |) Fitting, Plstc, E90, Bm06/Pf08, Swivel | 1 |
| 18 | 611009 | (00000000- |) Fitting, Plstc, Str, Pm06/Pm08, Reducer | 1 |
| 19 | 606778 | (00000000- |)● Pump, Soltn, Ele, 115vac, 65psi[Int-Byp] (100V/120V) | 1 |
| 19 | 611975 | (00000000- |)● Pump, Soltn, Ele, 230vdc, 65psi Ce [Tuv] (220V/230V/240V) | 1 |
| 20 | 150538 | (00000000- |) Fitting, Plstc, Str, Bm06/Pm06 | 1 |
| 21 | 607775 | (00000000- |) Clamp, Hose, Wir, .63 - .66, Blk | 1 |
| 22 | 606163 | (00000000- |) Hose, Pvc, Brd, 0.38id 0.62od 22.0l,Gray | 1 |
| 23 | 150415 | (00000000- |) Fitting, Plstc, E90, Bm06/Pm04 | 1 |
| 24 | 54333 | (00000000- |) Clamp, Hose, Wormdrive, 0.31-0.88d, .31w | 1 |

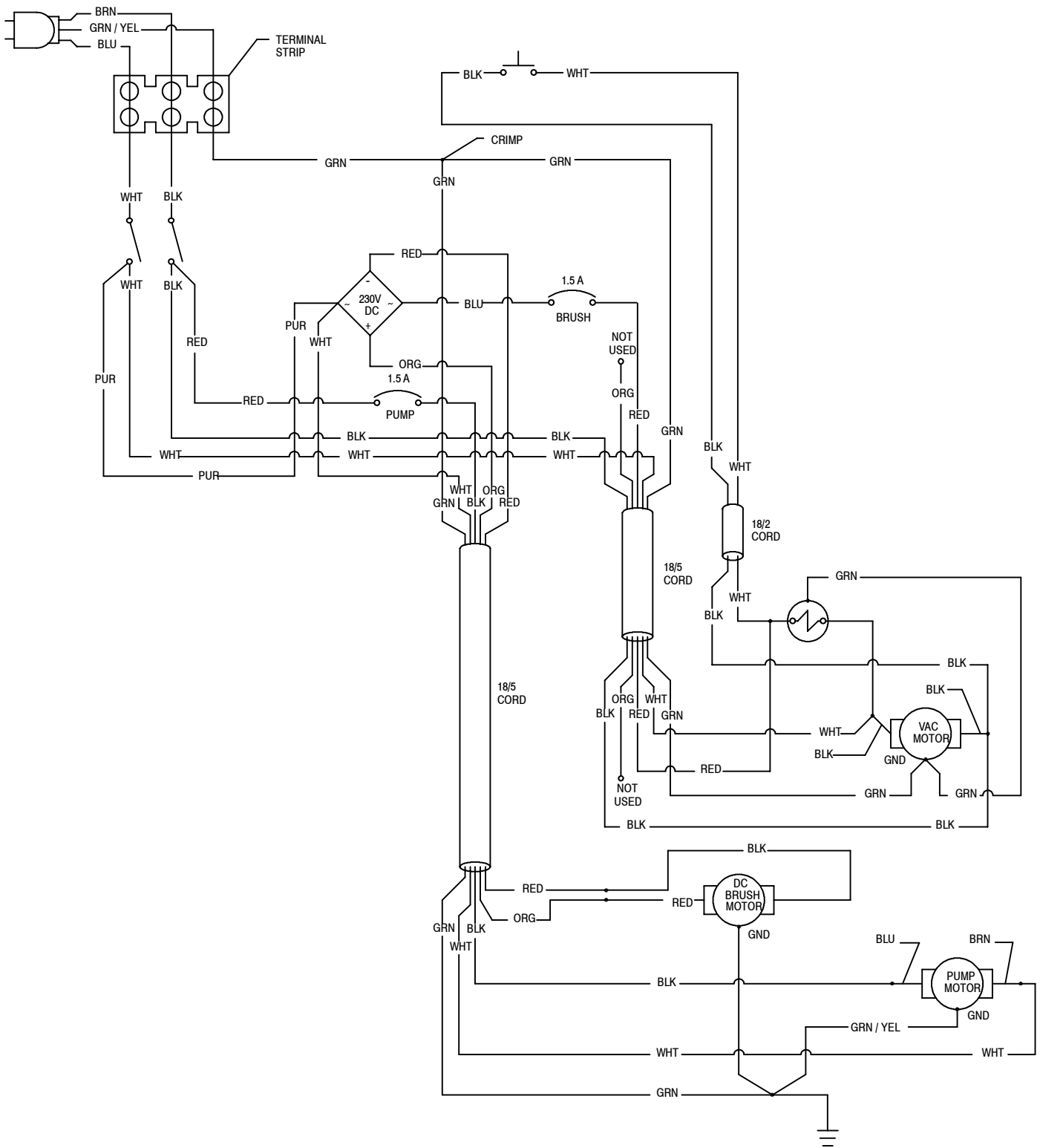
WIRING DIAGRAM, 100V/120V



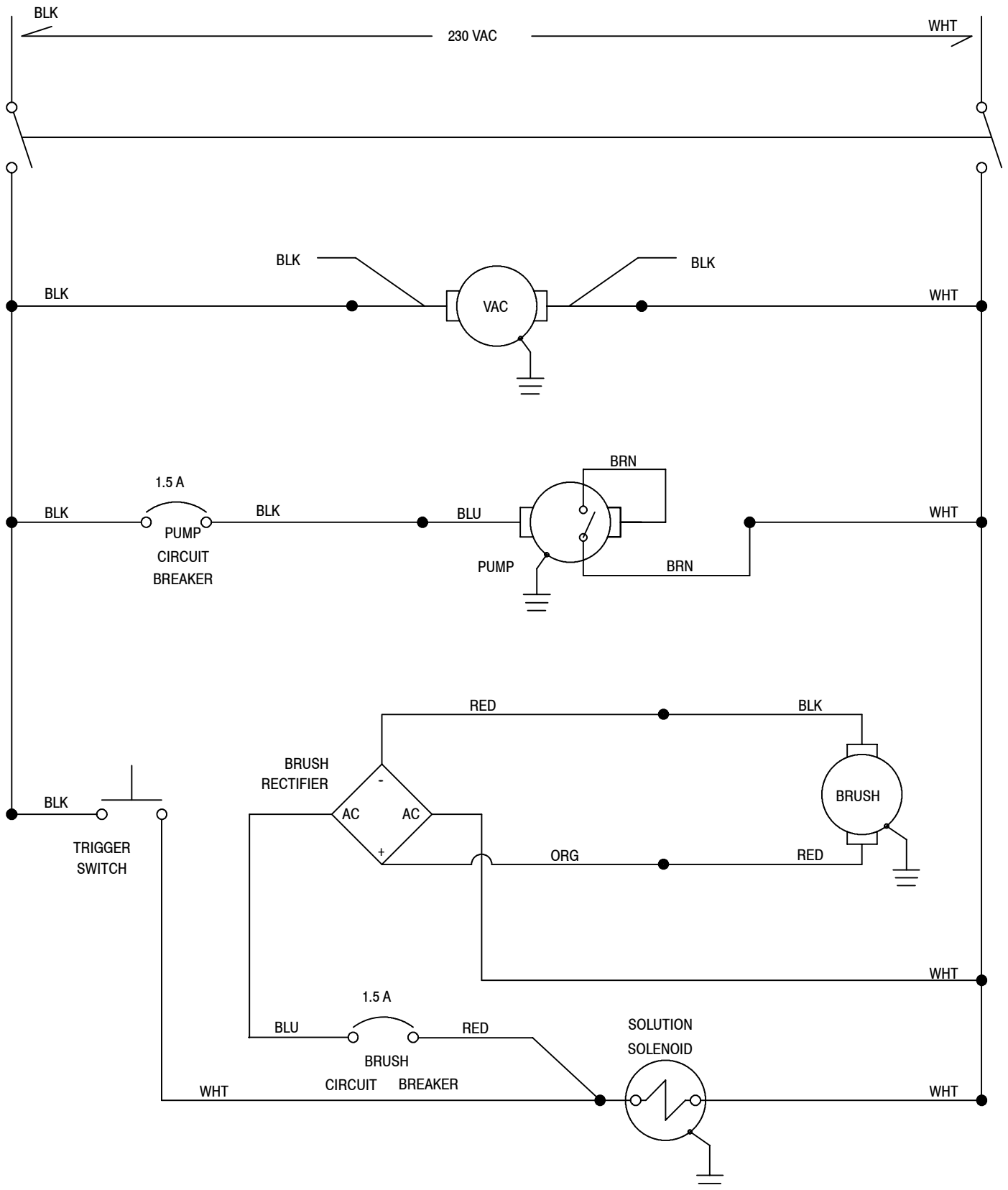
LADDER DIAGRAM, 100V/120V



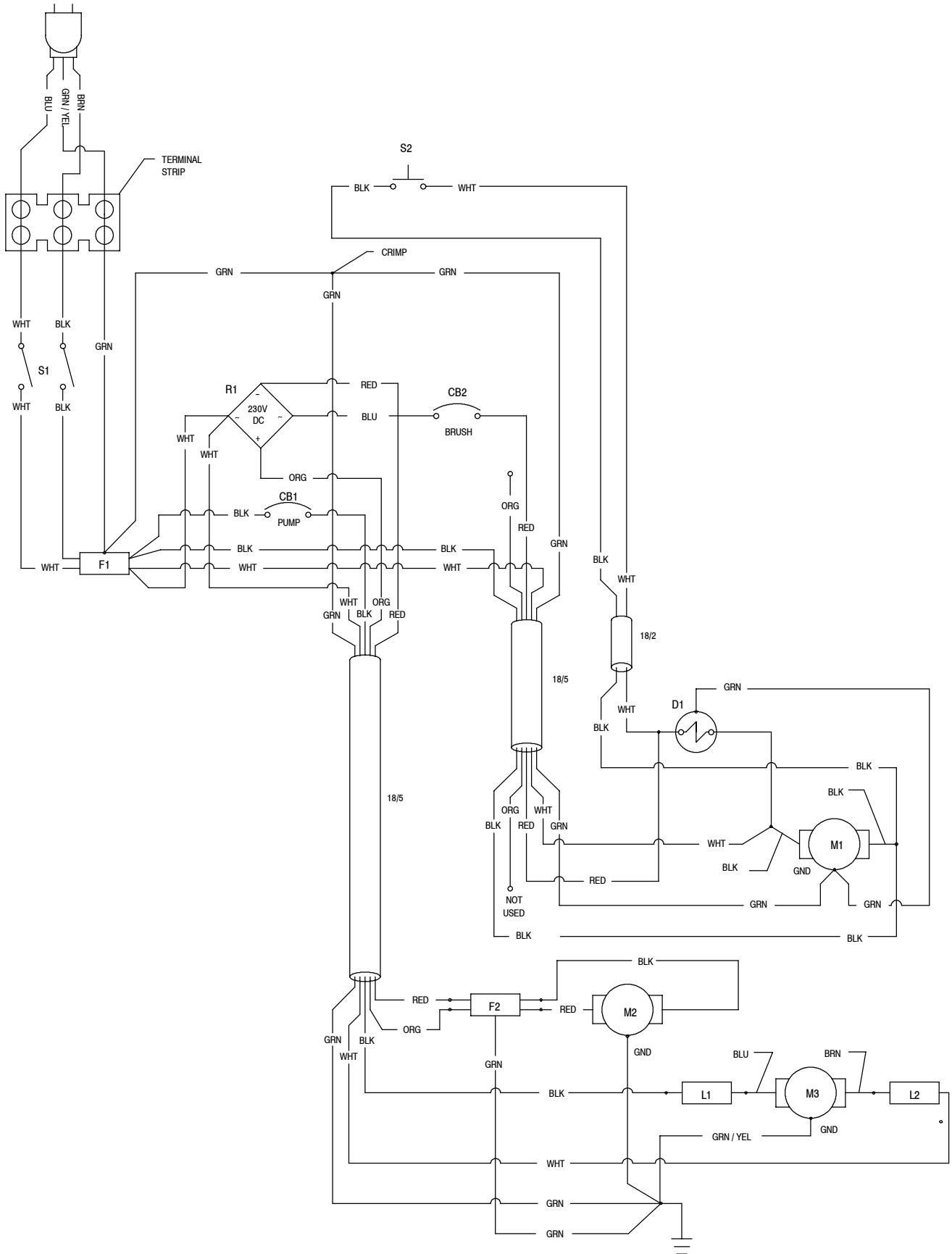
WIRING DIAGRAM, 220V/230V



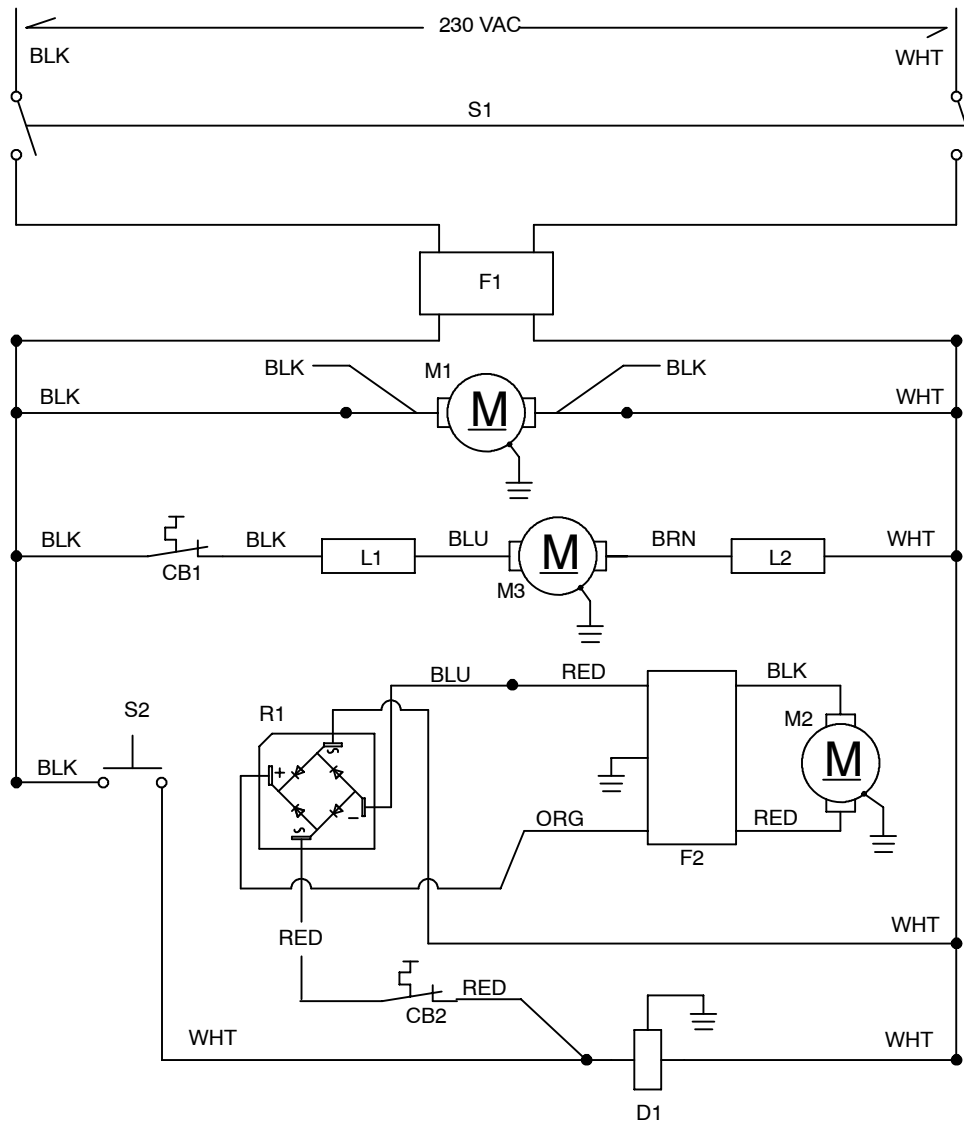
LADDER DIAGRAM, 220V/230V



WIRING DIAGRAM, 240V EMC

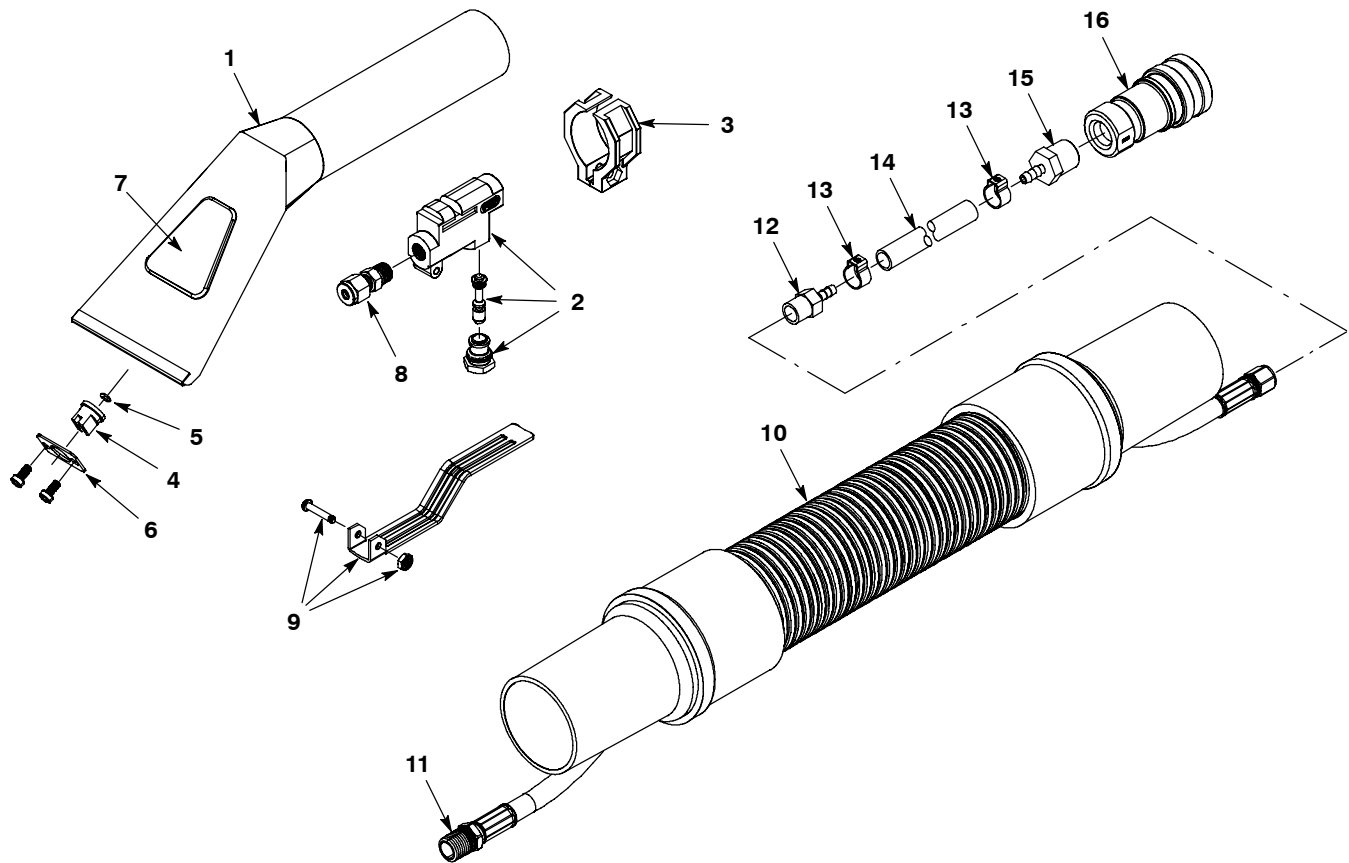


LADDER DIAGRAM, 240V EMC



| REF | English LEGEND | Español LEYENDA | Français LÉGENDE |
|-----|-----------------------------|-----------------------|----------------------|
| | BLK = Black | Negro | Noir |
| | BLU = Blue | Azul | Bleu |
| | BRN = Brown | Marrón | Brun |
| | GRN = Green | Verde | Vert |
| | WHT = White | Blanco | Blanc |
| | ORG= Orange | Naranja | Orange |
| | RED= Red | Rojo | Rouge |
| | YEL = Yellow | Yellow | Yellow |
| | CB1 = Circuit Breaker, 1.5A | Cortacircuitos, 1.5A | Coupe-circuit, 1.5A |
| | CB2= Circuit Breaker, 1.5A | Cortacircuitos, 1.5A | Coupe-circuit, 1.5A |
| | D1= Solenoid, Valve Sol. | Válvula de solenoide | Soupape à solénoi de |
| | F 1= Filter, RFI #600383 | Filtro, RFI | Filtre, RFI |
| | F 2= Filter, RFI #611474 | Filtro, RFI | Filtre, RFI |
| | L1 = Choke #603641 | Filtro | Filtre |
| | L2 = Choke #603641 | Filtro | Filtre |
| | M1 = Motor, Vacuum | Motor | Moteur |
| | M2= Motor, Brush | Motor | Moteur |
| | M3= Motor, Pump | Motor | Moteur |
| | S1 = Switch, Main | Interruptor | Interrupteur |
| | S2 = Switch, Trigger | Interruptor | Interrupteur |
| | R1 = Rectifier, Brush | Rectificador, Cepillo | Redresseur, Brosse |

HAND TOOL GROUP (NEW STYLE)



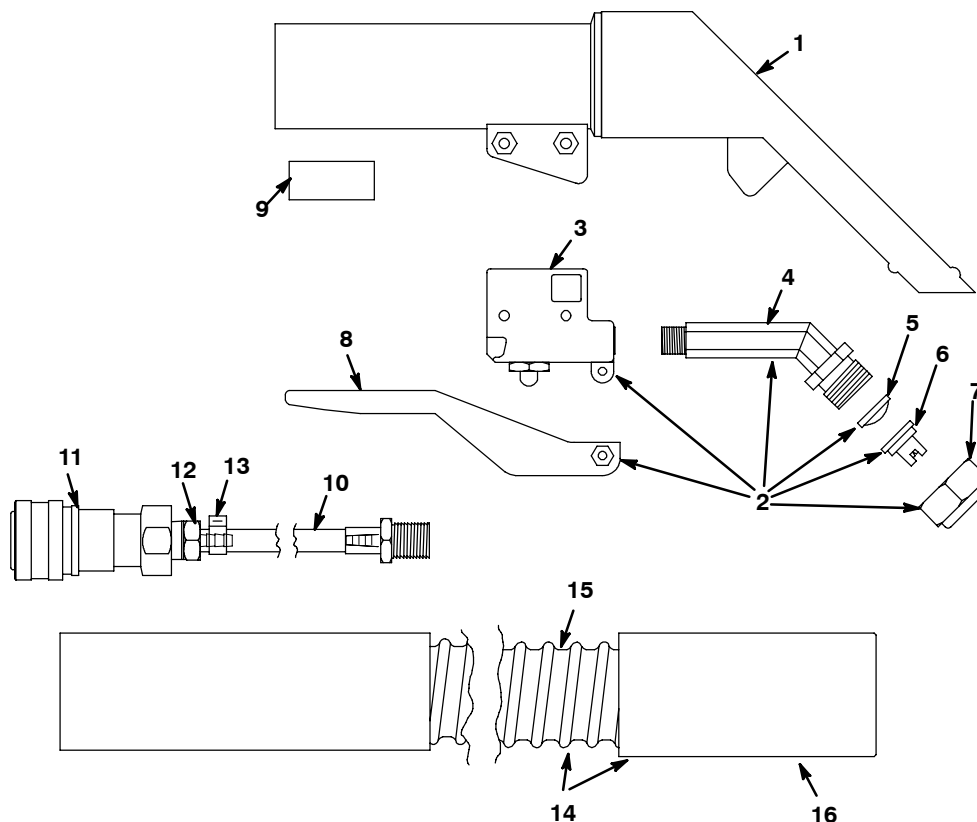
| Ref. | Part No. | Serial Number | Description | Qty. |
|------|------------|---------------|---|------|
| ▽ | 701403 | (00000000- |)● Tool Assy, Hand, W/ Ss Head & Plstc Wndw | 1 |
| ▲▽ | 1059230 | (00000000- |)● Tool Assy, W/Trigger F/1058747, Replmt | 1 |
| ▲▲ | 1 1059003 | (00000000- |)● Tool, W/ Wndw, Ss, F/1058747, Replmt | 1 |
| ▲▲ | 2 611807 | (00000000- |)● Valve, Tool, Hand [Pmf] | 1 |
| ▲▲ | 3 611812 | (00000000- |) Valve, Hanger [Pmf] | 1 |
| ▲▲ | 4 1059006 | (00000000- |)● Fitting, Jet, Tee, Plstc, Fr/ 1058747 | 1 |
| ▲▲ | 5 1059005 | (00000000- |)● Seal, Org, Fr/ 1058747, Replmt | 1 |
| ▲▲ | 6 611815 | (00000000- |) Retainer, Plate [Pmf] | 1 |
| ▲▲ | 7 1059004 | (00000000- |)● Tool, Wndw, Plstc, Fr/ 1058747 | 1 |
| ▲▲ | 8 611817 | (00000000- |) Ferrule, Pm02/.18tube | 1 |
| ▲▲ | 9 611818 | (00000000- |) Trigger, Handle Pmf | 1 |
| ▲▽ | 10 1059130 | (00000000- |)● Hose Assy, 10ft, F/1058747, Replmt | 1 |
| ▲▲ | 11 150521 | (00000000- |) Fitting, Brs, Str, Bm02/Pf02 | 1 |
| ▲ | 12 150524 | (00000000- |) Fitting, Brs, Str, Bm02/Pm02 | 1 |
| ▲ | 13 140349 | (00000000- |) Clamp, Hose, Ear, .318-.374, Ss | 2 |
| ▲ | 14 613471 | (00000000- |) Hose, Pvc, Brd, 0.12id 0.31od 015.0l (160245) | 1 |
| ▲ | 15 150514 | (00000000- |) Fitting, Brs, Str, Bm02/Pm04 [Taped] | 1 |
| ▲ | 16 150913 | (00000000- |)● Fitting, Brs, Qdc, Pf04 [Ser60] | 1 |
| ▲ | N/S 220040 | (00000000- |)● Bag, Hose, Accssry, 24x36[W/Draw String] | 1 |

▽ ASSEMBLY

▲ INCLUDED IN ASSEMBLY

● RECOMMENDED STOCK ITEMS

HAND TOOL GROUP (OLD STYLE)



| Ref. | Part No. | Serial Number | Description | Qty. |
|------|----------|---------------|---|------|
| ▽ | 701403 | (00000000- |)● Tool Assy, Hand, W/ Ss Head & Plstc Wndw | 1 |
| ▲ | N/A | (00000000- |)● Tool, Hand, W/ Trigger Assy (Rpld By P/N 701403) | 1 |
| ▲ | 1 | N/A | (00000000-)● Tool Hand W/O Trigger Assy R# 608065 (Rpld By P/N 701403) | 1 |
| ▲▽ | 2 | N/A | (00000000-) Tool, Hand, Trigger Assy (Rpld By P/N 701403) | 1 |
| ▲▲ | 3 | 608894 | (00000000-) Fitting, Valve Body, Hand Tool | 1 |
| ▲▲ | 4 | 608895 | (00000000-) Fitting, Nozzle, Spray | 1 |
| ▲▲ | 5 | 608900 | (00000000-)● Screen, Tool, Hand | 1 |
| ▲▲ | 6 | 608896 | (00000000-)● Fitting, Spray, Tip 11003 Blue | 1 |
| ▲▲ | 7 | 608897 | (00000000-)● Vr, Nut, Plstc, Spray Tip | 1 |
| ▲▲ | 8 | 608898 | (00000000-) Trigger, Hand Tool | 1 |
| ▲ | 9 | 608892 | (00000000-) Seal, Hose, Soltn | 1 |
| ▲ | 10 | 606250 | (00000000-)● Hose, Pvc, Brd, 0.12id 0.31od 105.0l | 1 |
| ▲ | 11 | 150913 | (00000000-)● Fitting, Brs, Qdc, Pf04 [Ser60] | 1 |
| ▲ | 12 | 150514 | (00000000-) Fitting, Brs, Str, Bm02/Pm04 [Taped] | 1 |
| ▲ | 13 | 140349 | (00000000-) Clamp, Hose, Ear, .318-.374, Ss | 1 |
| ▲▽ | 14 | N/A | (00000000-)● Hose, Vacuum, 1.25id X 104.0l, 1 cuff, (Rpld By P/N 1059130) | 1 |
| ▲▲ | 15 | N/A | (00000000-)● Hose, Vacuum, 1.25id X 088.0l [I-Helix] (Rpld By P/N 1059130) | 1 |
| ▲▲ | 16 | N/A | (00000000-)● Cuff, Hose, 1.5slip X 1.25thd Blk (Rpld By P/N 1059130) | 1 |
| ▲ | N/S | 220040 | (00000000-)● Bag, Hose, Accssry, 24x36[W/Draw String] | 1 |

▽ ASSEMBLY

▲ INCLUDED IN ASSEMBLY

● RECOMMENDED STOCK ITEMS