

# PARTS LIST

---

**Advance**

**Tip and Pour™**

Models TP120, TP120-5, TP120-H, TP120H-5

---

This parts list is for machines after serial number 157941



**Nilfisk  
Advance**

*setting standards*

revised 11/00 Form Number 56042030

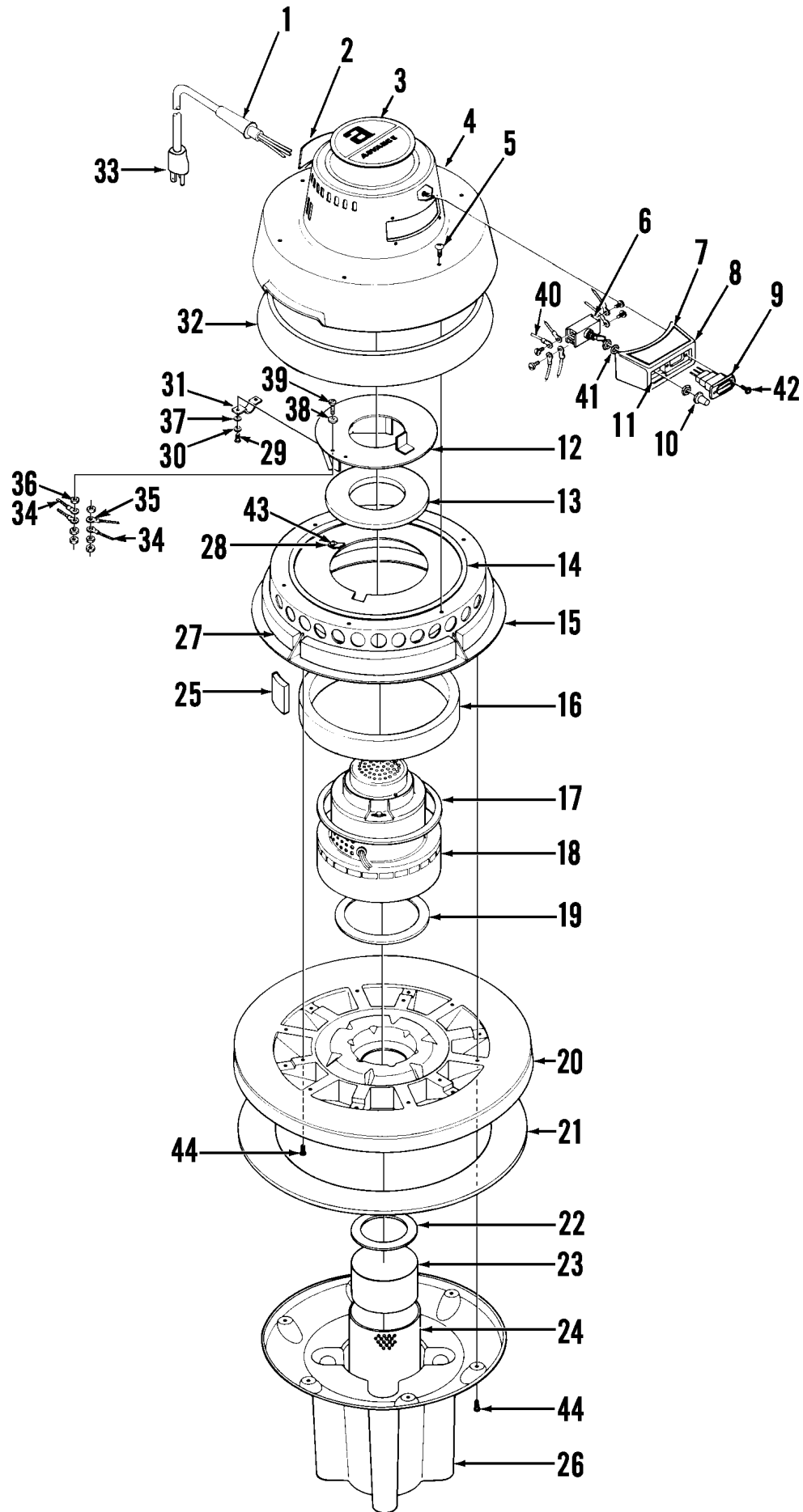
# TABLE OF CONTENTS

| <b>DESCRIPTION</b>                | <b>PAGE</b> |
|-----------------------------------|-------------|
| VACUUM HEAD ASSEMBLY .....        | 1-2         |
| TANK AND BASE ASSEMBLY .....      | 3-4         |
| WIRING DIAGRAMS .....             | 5           |
| VACUUM MOTOR .....                | 6           |
| H.E.P.A. POWERHEAD ASSEMBLY ..... | 7-8         |

## WHEN ORDERING PARTS

- \* Use the 8 digit numbers from the "Ref. No." columns in this parts list.
- \* Specify the model and serial number of the machine.
- \* Use the space below to record the model and serial number for future reference.

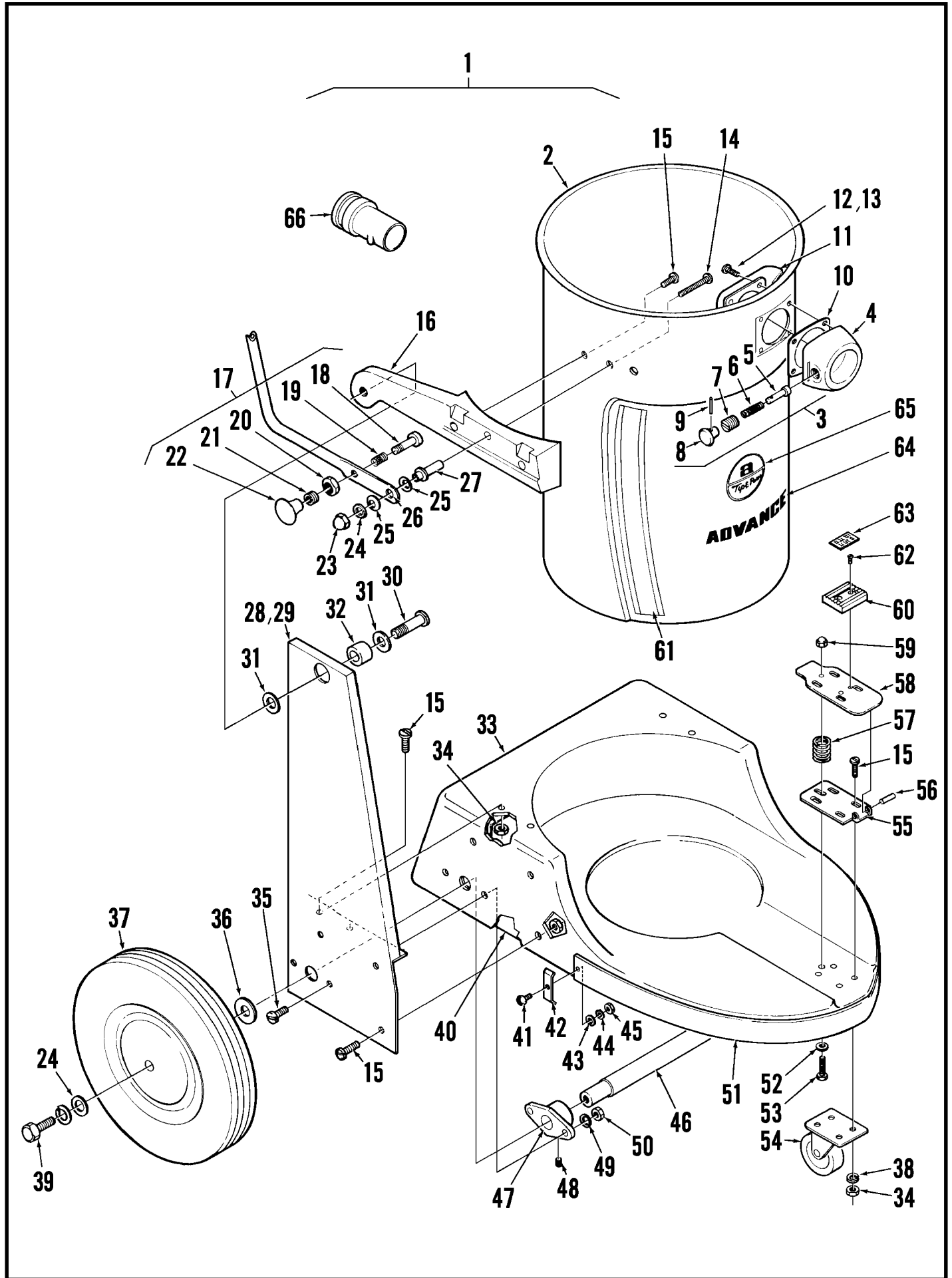
Model \_\_\_\_\_ Serial No. \_\_\_\_\_



## VACUUM HEAD ASSEMBLY

| Item | Ref. No. | Qty | Description               | Item | Ref. No. | Qty | Description                 |
|------|----------|-----|---------------------------|------|----------|-----|-----------------------------|
|      | 56205803 | 1   | Vacuum Head Assembly 115V | 27   | 56249447 | 4   | Foam                        |
|      | 56205775 | 1   | Vacuum Head Assembly 230V | 28   | 56249559 | 2   | Tab                         |
| 1    | 56301396 | 1   | Strain Relief 115V        | 29   | 56002173 | 2   | #8-32 x .63 Screw           |
|      | 56323046 | 1   | Strain Relief 230V        | 30   | 56002140 | 2   | #8 Shakeproof Washer        |
| 2    | 56015084 | 1   | Decal, Warning 115V       | 31   | 56300542 | 1   | Clamp                       |
|      | 56014327 | 1   | Decal, Warning 230V       | 32   | 56205651 | 1   | Foam                        |
| 3    | 56014170 | 1   | Decal, Advance 115V       | 33   | 56249638 | 1   | Power Cord 115V             |
|      | 56015076 | 1   | Decal, Warning 230V       |      | 56301309 | 1   | Power Cord 230V             |
| 4    | 56205794 | 1   | Vacuum Head Cover 115V    | 34   | 56249615 | 2   | Wire Assembly               |
|      | 56205825 | 1   | Vacuum Head Cover 230V    | 35   | 56325314 | 2   | Terminal Ring #10           |
| 5    | 56002683 | 6   | #10-24 x .5 Screw 115V    | 36   | 56002349 | 14  | #10-24 Nut                  |
|      | 56570226 | 6   | Screw 230V                | 37   | 56001940 | 2   | #8 Washer                   |
| 6    | 56200340 | 1   | Toggle Switch 115V        | 38   | 56002011 | 15  | #10 Shakeproof Washer       |
|      | 56301636 | 1   | Toggle Switch 230V        | 39   | 56002124 | 3   | #10-24 x .62 Pan Head Screw |
| 7    | 56014493 | 1   | Decal, Hydro Vac 115V     | 40   | 56311229 | 1   | Terminal Ring #6            |
| 8    | 56205795 | 1   | Console                   | 41   | 56001991 | 1   | Shakeproof Washer           |
| 9    | 56209826 | 1   | Receptacle 115V           | 42   | 56570514 | 2   | #6 x .375 Screw             |
|      | 56209983 | 1   | Receptacle Cover 230V     | 43   | 56002519 | 2   | #10-24 x .375 Screw         |
| 10   | 56756514 | 1   | Boot                      | 44   | 56002683 | 12  | #10-24 x .5 Screw 115V      |
| 11   | 56023224 | 1   | Decal, On-Off             |      | 56209488 | 12  | #10-24 x .43 Screw 230V     |
| 12   | 56249612 | 1   | Ring 115V                 |      | 56478246 | 3   | Wire Tie (9 on 230V)        |
|      | 56250555 | 1   | Ring 230V                 | *    | 56183523 | 1   | Terminal Block 230V         |
| 13   | 56249533 | 1   | Foam                      | *    | 56250564 | 2   | Wire Assembly 230V          |
| 14   | 56249648 | 1   | Gasket                    | *    | 56249530 | 1   | RFI Filter 230V             |
| 15   | 56205776 | 1   | Vacuum Motor Ring         | *    | 56250530 | 1   | Choke Coil 230V             |
| 16   | 56249535 | 1   | Foam                      | *    | 56331027 | 1   | Grn/Yel Wire Assembly       |
| 17   | 56249656 | 1   | Gasket                    | *    | 56331029 | 1   | Brown Wire Assembly         |
| 18   | 56249525 | 1   | Vacuum Motor 115V         | *    | 56331031 | 1   | Blue Wire Assembly          |
|      | 56249526 | 1   | Vacuum Motor 230V         | *    | 56900134 | 1   | Symbol "L"                  |
| 19   | 56249642 | 1   | Gasket                    | *    | 56900135 | 1   | Symbol Ground               |
| 20   | 56205807 | 1   | Base Cover                | *    | 56900231 | 1   | Symbol "N"                  |
| 21   | 56250099 | 1   | Gasket                    | *    | 56014119 | 1   | Decal, Ground Symbol        |
| 22   | 56249646 | 1   | Gasket                    |      |          |     |                             |
| 23   | 56209571 | 1   | Float                     |      |          |     |                             |
| 24   | 56209566 | 1   | Shield                    |      |          |     |                             |
| 25   | 56205652 | 6   | Foam                      |      |          |     |                             |
| 26   | 56205809 | 1   | Float Housing             |      |          |     |                             |

\* = Not Shown



## TANK AND BASE ASSEMBLY

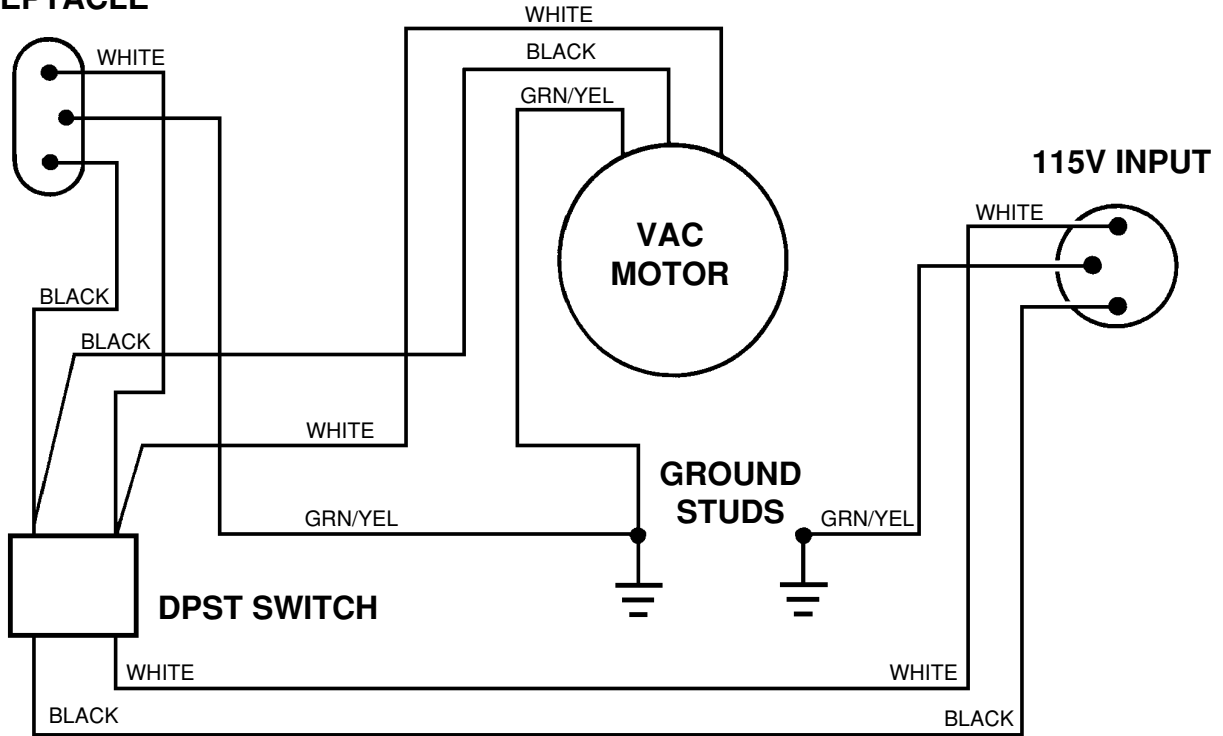
| Item | Ref. No.  | Qty | Description               | Item | Ref. No. | Qty | Description                    |
|------|-----------|-----|---------------------------|------|----------|-----|--------------------------------|
| 1    | 56205749  | 1   | Tank and Base Assembly    | 36   | 56001879 | 2   | 1/2 Flat Washer                |
| 2    | 56250543  | 1   | Tank                      | 37   | 56201774 | 2   | Wheel                          |
| 3    | 56205821  | 1   | Connector Assembly (#4-9) | 38   | 56001907 | 4   | 1/4 Lock Washer                |
| 4    | 56205854  | 1   | Connector                 | 39   | 56002513 | 2   | 1/4-20 x .5 Screw              |
| 5    | 56201391  | 1   | Pin                       | 40   | 56205766 | 1   | Brace                          |
| 6    | 56201448  | 1   | Spring                    | 41   | 56002002 | 2   | #6-32 x .75 Screw              |
| 7    | 56201383  | 1   | Socket                    | 42   | 56244846 | 2   | Clip                           |
| 8    | 56201405  | 1   | Knob                      | 43   | 56002006 | 2   | #6 Flat Washer                 |
| 9    | 56201 472 | 1   | Pin                       | 44   | 56001839 | 2   | #6 Lock Washer                 |
| 10   | 56201 390 | 1   | Gasket                    | 45   | 56002061 | 2   | #6-32 Nut                      |
| 11   | 56207089  | 1   | Deflector                 | 46   | 56578282 | 1   | Axle                           |
| 12   | 56209521  | 3   | #10-16 x 1 Screw          | 47   | 56578316 | 2   | Axle Block                     |
| 13   | 56209519  | 1   | #10-16 x .75 Screw        | 48   | 56001957 | 2   | 1/4-20 x .375 Set Screw        |
| 14   | 56002108  | 2   | 1/4-20 x 2 Screw          | 49   | 56001981 | 5   | #10 Lock Washer                |
| 15   | 56002066  | 20  | 1/4-20 x .62 Screw        | 50   | 56002349 | 4   | #10-24 Nut                     |
| 16   | 56205767  | 1   | Left Handle Mount         | 51   | 56578260 | 1   | Bumper                         |
| *    | 56205773  | 1   | Right Handle Mount        | 52   | 56001954 | 1   | #10 Flat Washer                |
| 17   | 56578214  | 1   | Lock Assembly (#18-22)    | 53   | 56002231 | 1   | #10-24 x 1.5 Screw             |
| 18   | 56578226  | 1   | Pin                       | 54   | 56206725 | 1   | Caster                         |
| 19   | 56578222  | 1   | Spring                    | 55   | 56578342 | 1   | Bracket                        |
| 20   | 56578218  | 1   | Nut                       | 56   | 56002781 | 1   | Spring Pin                     |
| 21   | 5657821 6 | 1   | Socket                    | 57   | 56228142 | 1   | Spring                         |
| 22   | 56362778  | 1   | Knob                      | 58   | 56578330 | 1   | Latch                          |
| 23   | 56002062  | 2   | 1/4-20 Acorn Nut          | 59   | 56209720 | 1   | Acorn Nut                      |
| 24   | 56002098  | 6   | 1/4 Flat Washer           | 60   | 56365000 | 1   | Rubber Pad                     |
| 25   | 56151041  | 2   | Spring Washer             | 61   | 56014563 | 1   | Decal, Right                   |
| 26   | 56250542  | 1   | Handle                    |      | 56014564 | 1   | Decal, Left                    |
| 27   | 56578244  | 2   | Bushing                   | 62   | 56002521 | 2   | 1/4-20 x .75 Screw             |
| 28   | 56205777  | 1   | Right Support             | 63   | 56057202 | 1   | Decal, Release                 |
| 29   | 56205763  | 1   | Left Support              | 64   | 56014046 | 1   | Decal, Advance                 |
| 30   | 56001858  | 2   | 3/8-16 x 1.25 Screw       | 65   | 56015326 | 1   | Decal, Logo                    |
| 31   | 56002063  | 4   | 3/8 Flat Washer           | 66   | 56201820 | 1   | Adapter, 1-1/2" (not included) |
| 32   | 56578242  | 2   | Bushing                   |      |          |     |                                |
| 33   | 56205756  | 1   | Base Housing              |      |          |     |                                |
| 34   | 56001976  | 16  | 1/4-20 Nut                |      |          |     |                                |
| 35   | 56002124  | 4   | #10-24 x .62 Screw        |      |          |     |                                |

\* = Not Shown

# WIRING DIAGRAMS

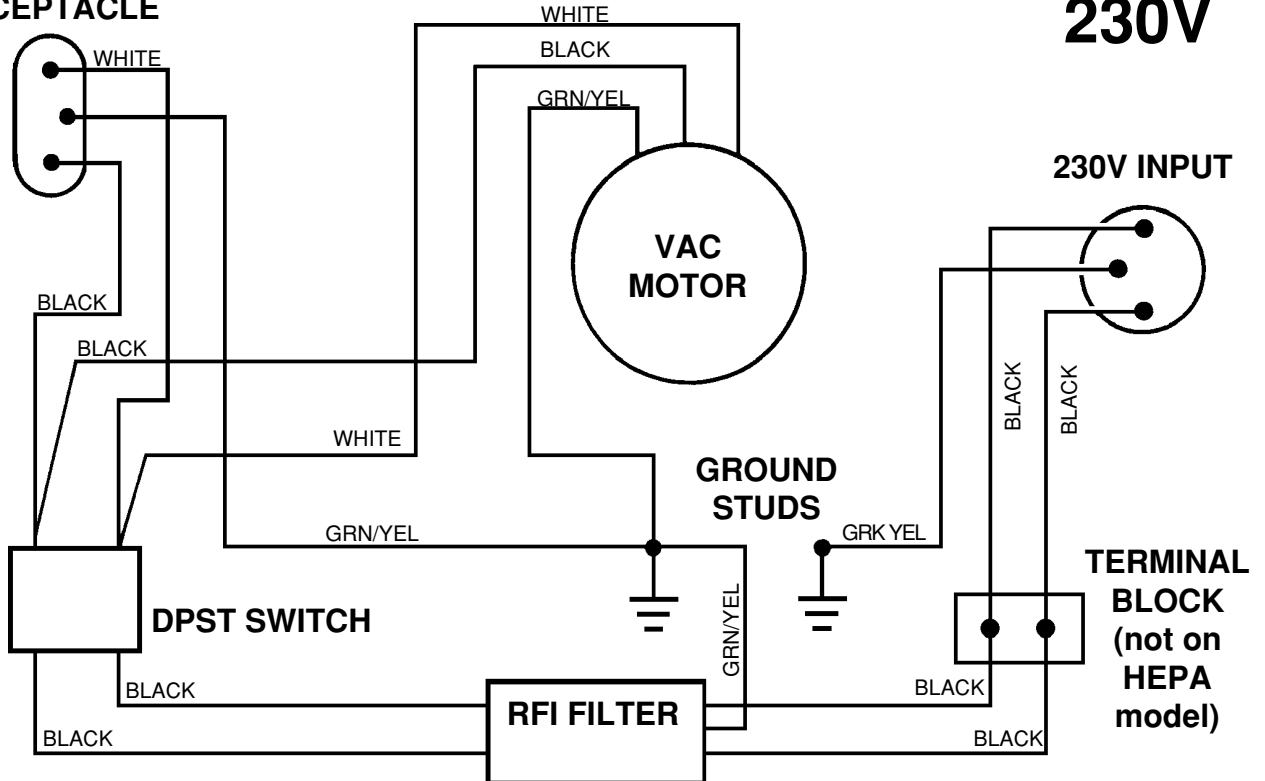
RECEPTACLE

## 115V



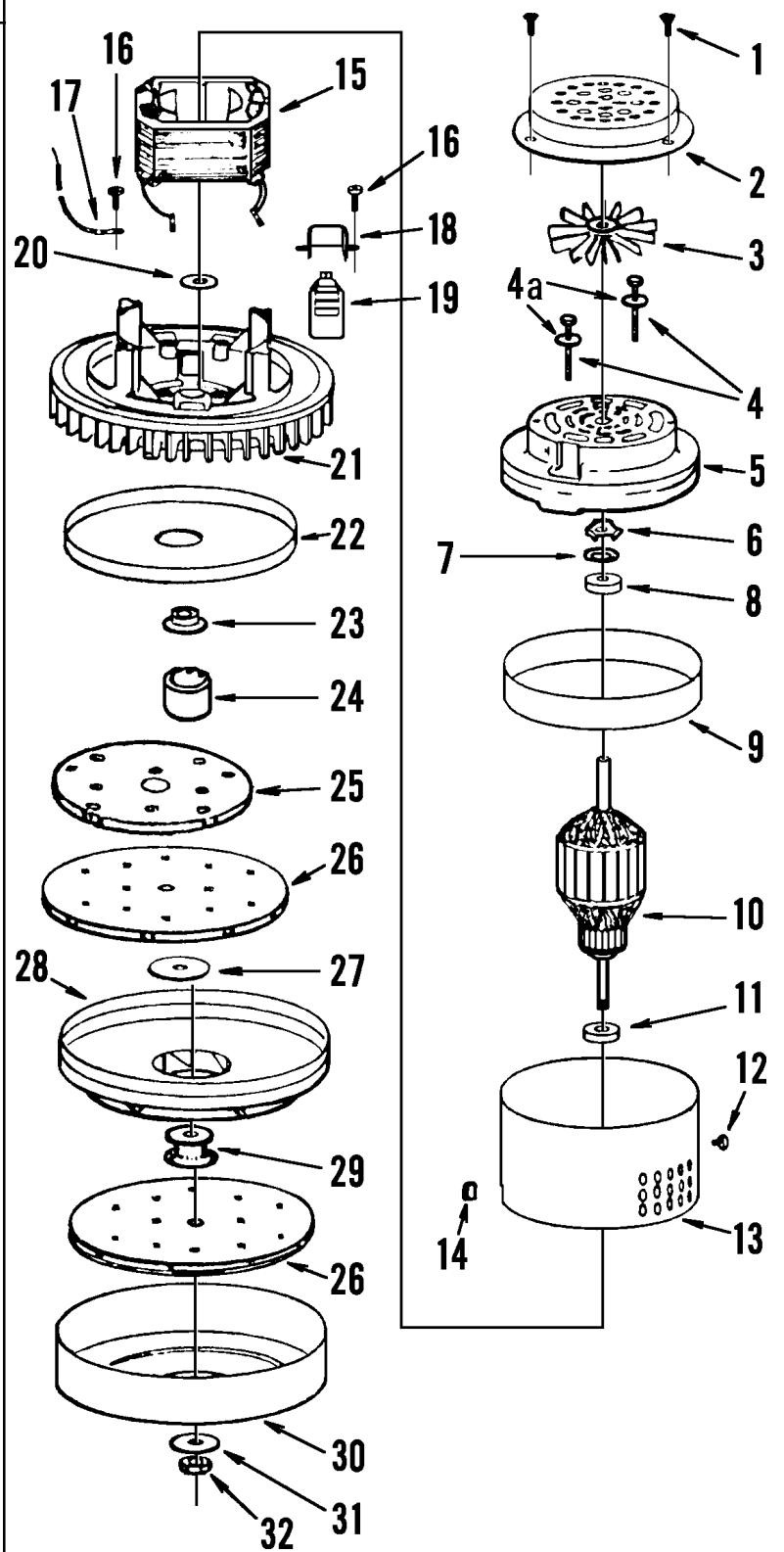
RECEPTACLE

## 230V

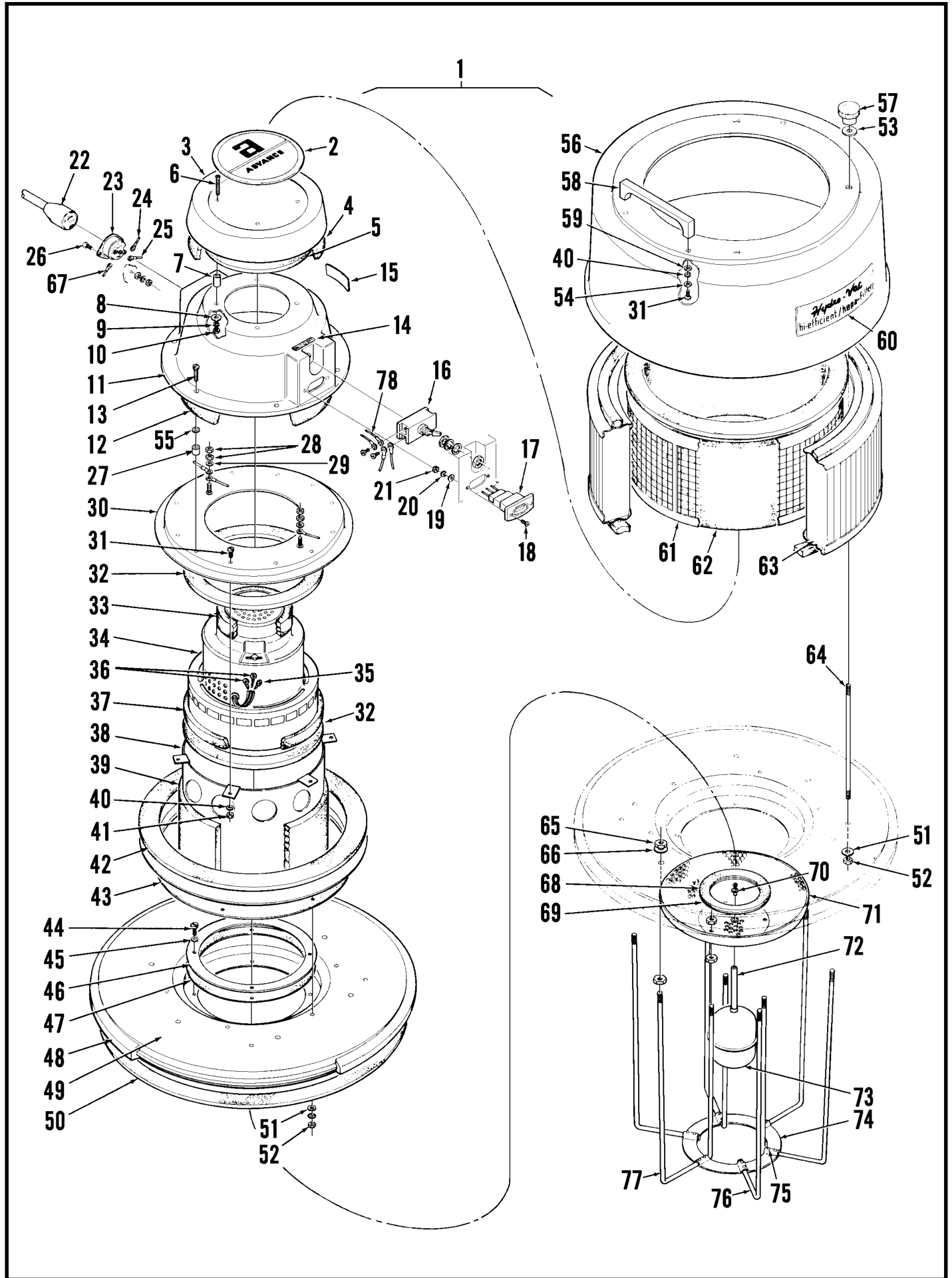


# VACUUM MOTOR

| Item | Ref. No. | Qty | Description           |
|------|----------|-----|-----------------------|
| 1    |          | 2   | Screw                 |
| 2    |          | 1   | Cover                 |
| 3    | 56249729 | 1   | Fan                   |
| 4    |          | 2   | Screw                 |
| 4a   |          | 2   | Washer                |
| 5    |          | 1   | Bracket               |
| 6    | 56202843 | 1   | Bowed Washer          |
| 7    | 56249735 | 1   | Disc                  |
| 8    | 56249737 | 1   | Bearing               |
| 9    |          | 1   | Air Vent Ring         |
| 10   | 56249743 | 1   | Armature 115 Volt     |
|      |          | 1   | Armature 220 Volt     |
| 11   | 56228051 | 1   | Bearing               |
| 12   |          | 1   | Screw                 |
| 13   |          | 1   | Band                  |
| 14   |          | 1   | Snap Bushing          |
| 15   |          | 1   | Field                 |
| 16   |          | 5   | Screw                 |
| 17   |          | 1   | Lead & Terminal       |
| 18   | 56208132 | 2   | Clamp                 |
| 19   | 56207403 | 2   | Brush Mechanism (Set) |
| 20   |          | 1   | Neoprene Washer       |
| 21   |          | 1   | Fan End Bracket       |
| 22   | 56202703 | 1   | Shell                 |
| 23   | 56260162 | 1   | Spacer                |
| 24   | 56249751 | 1   | Slinger               |
| 25   | 56249753 | 1   | Fan                   |
| 26   | 56202592 | 2   | Fan                   |
| 27   |          | 1   | Washer                |
| 28   | 56249755 | 1   | Stationary Fan        |
| 29   | 56203516 | 1   | Spacer                |
| 30   | 56249757 | 1   | Fan Shell             |
| 31   | 56203432 | 1   | Washer                |
| 32   |          | 1   | Nut                   |







## H.E.P.A. POWERHEAD ASSEMBLY

| Item | Ref. No. | Qty | Description                         | Item | Ref. No. | Qty | Description           |
|------|----------|-----|-------------------------------------|------|----------|-----|-----------------------|
| 1    | 56207007 | 1   | HEPA Powerhead Assy 115V            | 43   | 56207102 | 1   | Gasket                |
|      | 56207008 | 1   | HEPA Powerhead Assy 230V            | 44   |          | 4   | 1/4-20 x .375 Screw   |
| 2    | 56015076 | 1   | Decal, Advance                      | 45   |          | 10  | 1/4 Lock Washer       |
| 3    | 56207121 | 1   | Motor Cover                         | 46   | 56207019 | 1   | Shut-Off Plate        |
| 4    | 56204072 | 1   | Gasket                              | 47   | 56207122 | 1   | Gasket                |
| 5    | 56204099 | 1   | Liner                               | 48   | 56207123 | 1   | Bumper                |
| 6    |          | 4   | #6-32 x 1.25 Screw                  | 49   | 56207021 | 1   | Tank Cover            |
| 7    | 56200239 | 4   | Bushing                             | 50   | 56250099 | 1   | Gasket                |
| 8    |          | 6   | #6 Flat Washer                      | 51   |          | 10  | 1/4 Flat Washer       |
| 9    |          | 6   | #6 Lock Washer                      | 52   |          | 10  | 1/4-20 Nut            |
| 10   |          | 6   | #6-32 Nut                           | 53   | 56380875 | 4   | Fiber Washer          |
| 11   | 56207009 | 1   | Cover 115V                          | 54   | 56209596 | 4   | Rubber Washer         |
|      | 56207150 | 1   | Cover 230V                          | 55   | 56200190 | 6   | Fiber Washer          |
| 12   | 56207038 | 2   | Foam                                | 56   | 56207083 | 1   | Cover                 |
| 13   |          | 10  | #10-24 x .75 Screw                  | 57   | 56207088 | 4   | Knob                  |
| 14   | 56023224 | 1   | Decal, On-Off                       | 58   | 56300101 | 4   | Handle                |
| 15   | 56015084 | 1   | Decal, Warning 115V                 | 59   |          | 4   | #10 Flat Washer       |
|      | 56014327 | 1   | Decal, Warning 230V                 | 60   | 56014173 | 1   | Decal 115V            |
| 16   | 56200340 | 1   | Toggle Switch 115V                  |      | 56014578 | 1   | Decal 230V            |
|      | 56301636 | 1   | Toggle Switch 230V                  | 61   | 56207023 | 1   | Prefilter Weldment    |
| 17   | 56205752 | 1   | Receptacle 115V                     | 62   | 56207048 | 1   | Prefilter             |
|      | 56207162 | 1   | Receptacle Cover 230V               | 63   | 56207014 | 1   | HEPA Filter           |
| 18   |          | 2   | #4-40 x .62 Screw                   | 64   | 56207046 | 4   | Stud                  |
| 19   |          | 2   | #4 Flat Washer                      | 65   |          | 24  | 5/16-18 Nut           |
| 20   |          | 2   | #4 Lock Washer                      | 66   |          | 12  | 5/16 Flat Washer      |
| 21   |          | 2   | #4-40 Nut                           | 67   | 56207096 | 1   | Green Wire Assembly   |
| 22   | 56207066 | 1   | Power Cord 115V **                  | 68   | 56249646 | 1   | Gasket                |
|      | 56207084 | 1   | Power Cord 230V **                  | 69   | 56200522 | 1   | Washer                |
| 23   | 56207064 | 1   | Twist-Lok Inlet 115V                | 70   | 56200077 | 1   | Outer Eyelet          |
|      | 56180272 | 1   | Connector Inlet 230V <b>TSB 741</b> | 71   | 56200492 | 1   | Suds Shield           |
| 24   | 56207114 | 1   | White Wire Assembly                 | 72   | 56200584 | 1   | Stem                  |
| 25   | 56207094 | 1   | Black Wire Assembly                 | 73   | 56200603 | 1   | Float                 |
| 26   |          | 2   | #6-32 x .5 Screw                    | 74   | 56200670 | 1   | Ring                  |
| 27   | 56200123 | 6   | Bushing                             | 75   | 56200673 | 12  | Rivet                 |
| 28   |          | 4   | #8-32 Nut                           | 76   | 56200654 | 3   | Rod                   |
| 29   |          | 2   | #8 Flat Washer                      | 77   | 56200646 | 3   | Rod                   |
| 30   | 56207015 | 1   | Top Motor Mount                     | 78   | 56209900 | 1   | Grn/Yel Wire Assembly |
| 31   |          | 6   | #10-24 x .62 Screw                  | *    | 56249530 | 1   | RFI Filter 230V       |
| 32   | 56207010 | 2   | Gasket                              | *    | 56249532 | 1   | Choke Coil 230V       |
| 33   | 56206020 | 1   | Gasket                              | *    | 56171490 | 2   | Receptacle Tab 230V   |
| 34   | 56249525 | 1   | Vacuum Motor 115V                   | *    | 56209897 | 2   | Wire Assembly 230V    |
|      | 56249526 | 1   | Vacuum Motor 230V                   | *    | 56014119 | 2   | Decal, Ground 230V    |
| 35   | 56207110 | 1   | #8 Terminal Ring                    | *    | 56325219 | 2   | Cable Tie 230V        |
| 36   | 56311229 | 2   | #6 Terminal Ring                    |      |          |     |                       |
| 37   | 56449227 | 1   | Gasket, 26 inches                   |      |          |     |                       |
| 38   | 56207017 | 1   | Motor Mount                         |      |          |     |                       |
| 39   | 56207078 | 1   | Foam                                |      |          |     |                       |
| 40   |          | 10  | #10 Lock Washer                     |      |          |     |                       |
| 41   |          | 6   | #10-24 Nut                          |      |          |     |                       |
| 42   | 56207050 | 2   | Prefilter Gasket                    |      |          |     |                       |

\* = Not Shown  
 \*\* = Not Included



Nilfisk-Advance, Inc.  
14600 21st Avenue North  
Plymouth, MN, 55447-3408  
[www.nilfisk-advance.com](http://www.nilfisk-advance.com)  
Phone: 800-989-2235  
Fax: 800-989-6566  
©2000 Nilfisk-Advance, Inc.,  
Plymouth, MN 55447-3408  
Printed in the U.S.A.