

# Matador™ 17/20

---



## **PARTS LIST**

**Advance MODELS 56172200, 56172205, 56172220  
56172225, 56172208**

**This parts list is for machines after serial number 291095  
All models covered in this manual are OBSOLETE**



**Nilfisk  
Advance**

*setting standards*

revised 2/01 Form Number 56042225

# TABLE OF CONTENTS

<u>DESCRIPTION</u>	<u>PAGE</u>
Optional Accessories .....	1
Handle Assembly - Front View .....	2-3
Handle Assembly - Rear View .....	4-5
Base Assembly .....	6-7
Wiring Diagrams .....	8-9

## WHEN ORDERING PARTS

- \* Use the 8 digit numbers from the "Ref. No." columns in this parts list.
- \* Specify the model and serial number of the machine.
- \* Use the space below to record the model and serial number for future reference.

Model \_\_\_\_\_ Serial No. \_\_\_\_\_

## OPTIONAL BRUSHES AND ACCESSORIES

Ref. No.	Qty	Description
----------	-----	-------------

### 17" Brushes For Silver NP-47 Drive Cap

56505055	1	Magna Grit™ 46 Brush, 17"
56505054	1	Dyna Grit™ 80 Brush, 17"
56505078	1	MidLite Grit™ 180 Brush, 17"
56505082	1	MidGrit™ 240 Brush, 17"
56505059	1	AgLite™ 500 Brush, 17"
56505331	1	Prolene Brush, 17"
56505076	1	ProLite™ Brush, 17"
56505334	1	Union Mix Brush, 17"
56505330	1	Short-Trim Pad Holder, 17"
56505180	1	Level-Set Pad Holder, 17"
56505530	1	Soft-Touch™ Shampoo Brush, 17"
56505537	1	Soft-Touch™ Shampoo Brush Assy, 17"
56506001	1	Clutch Plate for Above Brushes ( <b>Silver/NP-47</b> )

### 20" Brushes For Silver NP-47 Drive Cap

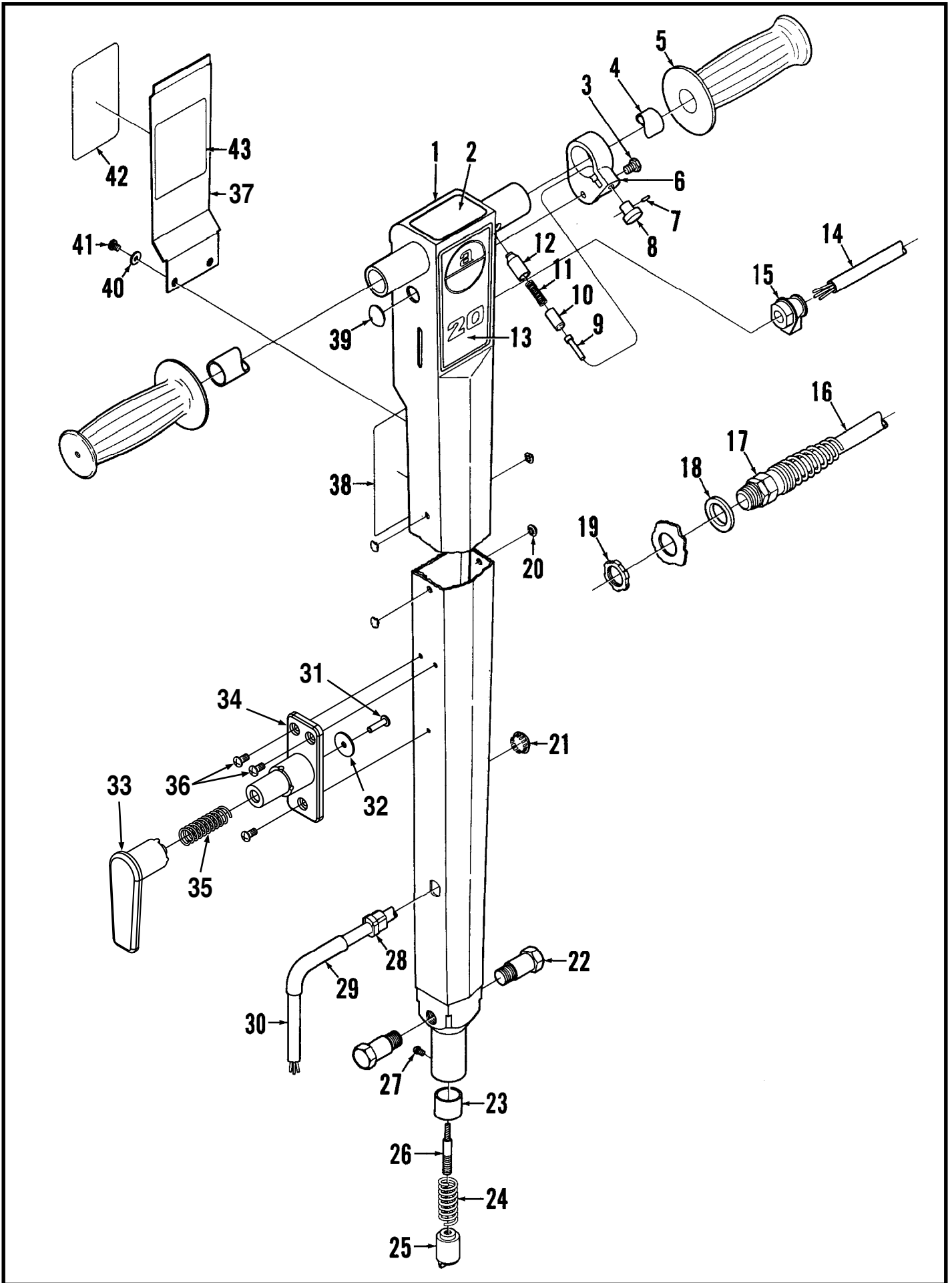
56505058	1	Magna Grit™ 46 Brush, 20"
56505048	1	Dyna Grit™ 80 Brush, 20"
56505079	1	MidLite Grit™ 180 Brush, 20"
56505083	1	MidGrit™ 240 Brush, 20"
56505063	1	AgLite™ 500 Brush, 20"
56505450	1	Prolene Brush, 20"
56505077	1	ProLite™ Brush, 20"
56505454	1	Union Mix Brush, 20"
56505455	1	Short-Trim Pad Holder, 20"
56505183	1	Level-Set Pad Holder, 20"
56505531	1	Soft-Touch™ Shampoo Brush, 20"
56505538	1	Soft-Touch™ Shampoo Brush Assy, 20"
56506001	1	Clutch Plate for Above Brushes ( <b>Silver/NP-47</b> )

### 17" Brushes For Gold NP-92 Drive Cap

56505911	1	Magna Grit™ 46 Brush, 17"
56505912	1	Dyna Grit™ 80 Brush, 17"
56505918	1	MidLite Grit™ 180 Brush, 17"
56505917	1	MidGrit™ 240 Brush, 17"
56505913	1	AgLite™ 500 Brush, 17"
56505914	1	Prolene Brush, 17"
56505915	1	ProLite™ Brush, 17"
56505916	1	Union Mix Brush, 17"
56505910	1	Short-Trim Pad Holder, 17"
56505270	1	Level-Set Pad Holder, 17"
56505539	1	Soft-Touch™ Shampoo Brush Assy, 17"
56506006	1	Clutch Plate for Above Brushes ( <b>Plastic/NP-92</b> )

### 20" Brushes For Gold NP-92 Drive Cap

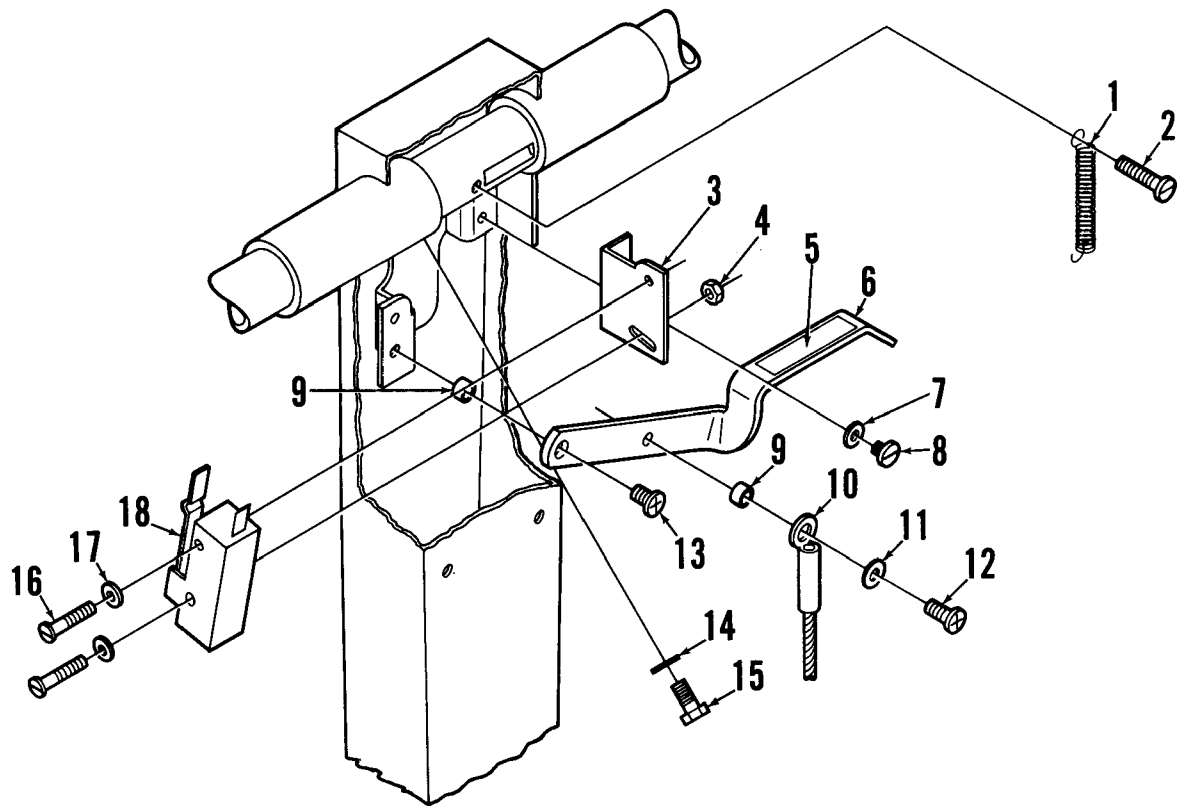
56505921	1	Magna Grit™ 46 Brush, 20"
56505922	1	Dyna Grit™ 80 Brush, 20"
56505928	1	MidLite Grit™ 180 Brush, 20"
56505927	1	MidGrit™ 240 Brush, 20"
56505923	1	AgLite™ 500 Brush, 20"
56505924	1	Prolene Brush, 20"
56505925	1	ProLite™ Brush, 20"
56505926	1	Union Mix Brush, 20"
56505920	1	Short-Trim Pad Holder, 20"
56505280	1	Level-Set Pad Holder, 20"
56505540	1	Soft-Touch™ Shampoo Brush Assy, 20"
56506006	1	Clutch Plate for Above Brushes ( <b>Plastic/NP-92</b> )



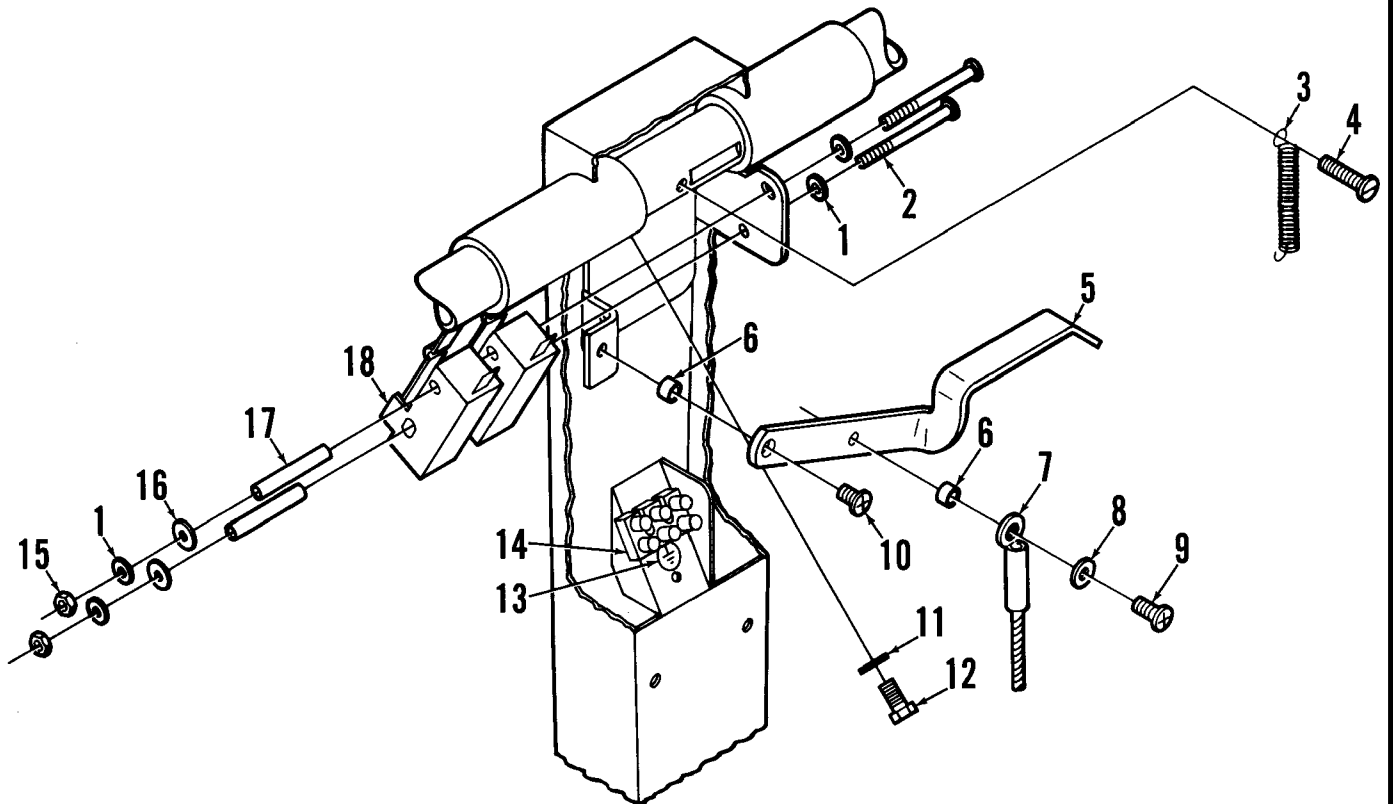
## HANDLE ASSEMBLY - FRONT VIEW

Item	Ref. No.	Qty	Description
	56172298	1	Handle Assembly 115V
	56172337	1	Handle Assembly 230V
1	56172274	1	Handle 115V
	56172332	1	Handle 230V
2	56014924	1	Decal, Warning 115V
3		1	1/4-20 x 1/2 Screw
		1	1/4-20 Nut
4	56171343	1	Handle Tube 115V
	56183498	1	Handle Tube 230V
5	56388545	2	Hand Grip 115V
	56900248	2	Hand Grip 230V
6	56172275	1	Collar
	56172321	1	Collar Assy (#6-9)
7	56003129	1	Pin
8	56201405	1	Knob
9	56172217	1	Pin
10	56171279	1	Plunger
11	56201448	1	Spring
12	56171281	1	Bushing
13	56014096	1	Decal, 20
	56014085	1	Decal, 17
14	56183587	1	Cord Set 230V
15	56183586	1	Strain Relief 230V
16	56524069	1	Cord Set 115V
17	56109630	1	Strain Relief 115V
	56109632	1	Brass Insert for 109630
18	56171093	1	Washer 115V
19	56171094	1	Nut 115V
20	56153699	4	Button Plug
21	56157244	1	Button Plug
22	56171336	2	Shoulder Bolt
23	56171269	1	Bushing
24	56171361	1	Spring
25	56171132	1	Plunger
26	56171373	1	Cable
27		1	#4-40 x 1/4 Screw
28	56382817	1	Strain Relief 115V
	56163015	1	Strain Relief 230V
29	56300602	1	Tube 230V
30	56171128	1	Cord Set 115V
	56172331	1	Cord Set 230V
	56171112	1	Cord Hook Assembly (#31-35)
31	56009005	1	Scr, Pan Phil SS Type B 10-16 x .75
32	56009096	1	Wsh, Flt .193 x .875 x .060
33	56171110	1	Arm
34	56171111	1	Base
35	56380732	1	Spring
36	56009030	3	Scr, Pan Phil Thd Form 10-24 x .38
37	56172273	1	Cover 115V
	56183611	1	Cover 230V
38	56014828	1	Decal, Warning 115V
	56014204	1	Decal, Warning 230V
39	56322231	2	Button Plug 230V
40		5	#8 Washer (2 on 230V)
41		5	#8-32 x 1/4 Screw (2 on 230V)
42	56014033	1	Decal, Warning 230V
43	56014326	1	Decal, Important

115V



230V



## 115V HANDLE ASSEMBLY - REAR VIEW

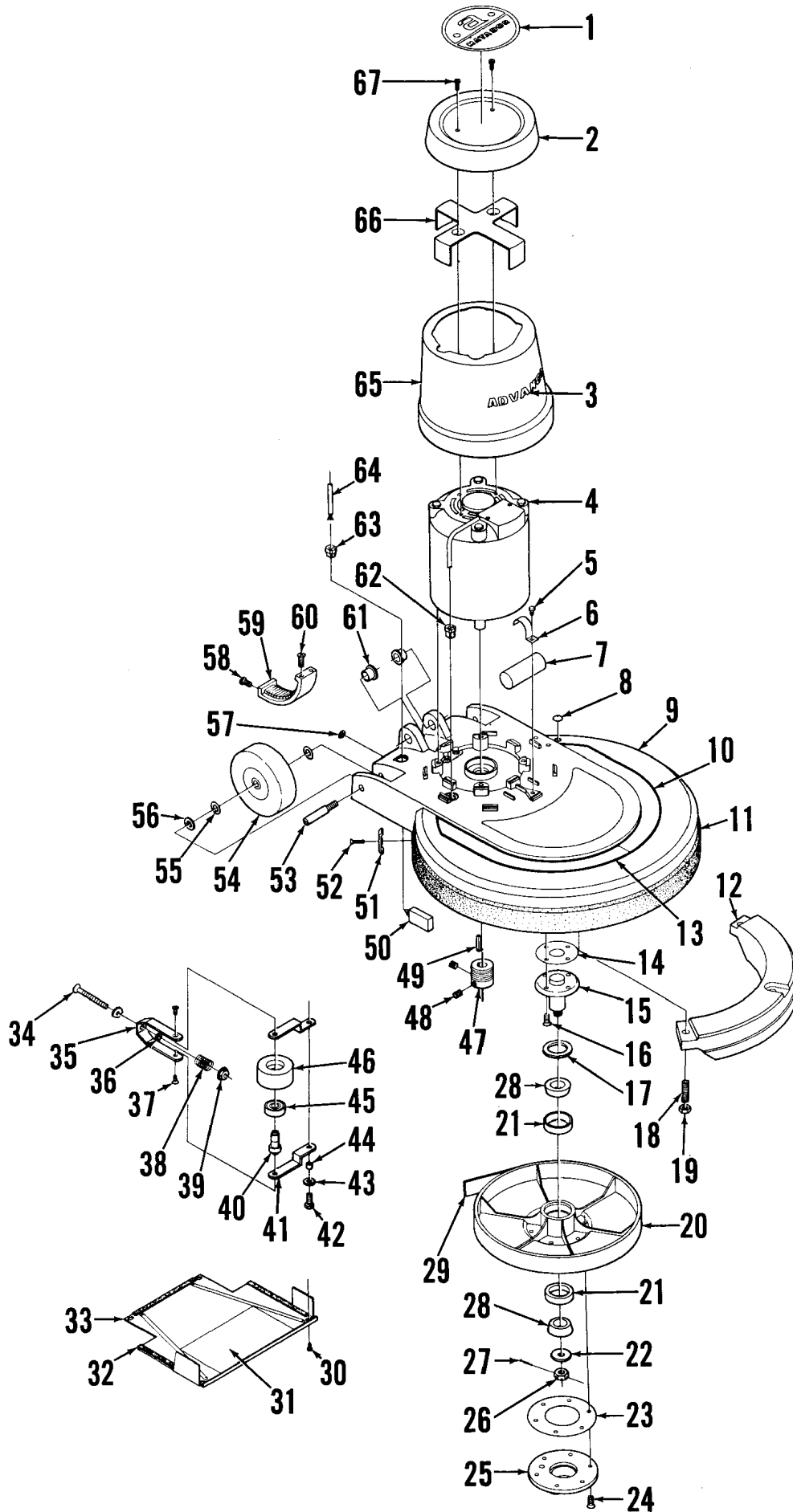
Item	Ref. No.	Qty	Description
1	56445177	1	Spring
2		1	#8-32 X 7/8 Screw
3	56171209	1	Bracket
4		1	#4-40 Nut
5	56014856	1	Decal, Handle
6	56171126	1	Lever
7		5	#8 Washer
8		5	#8-32 X 1/4 Screw
9	56151092	2	Spacer
10	56171373	1	Cable
11	56009125	1	Washer
12		1	#10-24 X 1/2 Screw
13		1	#10-24 X 3/8 Screw
14	56001905	1	5/16 Shakeproof Washer
15	56234079	1	1/4-20 X 1/2 Screw
16		2	#4-40 X 7/8 Screw
17		2	#4 Shakeproof Washer
18	56385615	1	Switch
*	56321737	1	Wire Nut
*	56478246	1	Cable Tie

\* = Not Shown

## 230V HANDLE ASSEMBLY - REAR VIEW

Item	Ref. No.	Qty	Description
1		4	#4 Shakeproof Washer
2		2	#4-40 X 1 3/4 Screw
3	56445177	1	Spring
4		1	#8-32 X 7/8 Screw
5	56171126	1	Lever
6	56151092	2	Spacer
7	56171373	1	Cable
8	56009125	1	Washer
9		2	#10-24 X 1/2 Screw
10		1	#10-24 X 3/8 Screw
11	56001905	1	5/16 Shakeproof Washer
12	56234079	1	1/4-20 X 1/2 Screw
13	56014119	1	Decal, Ground Symbol
14	56183523	1	Terminal Block
		2	#4-40 X 5/8 Screw
15		2	#4-40 Nut
16	56200190	2	Fiber Washer
17	56183589	2	Sleeve
18	56385615	2	Switch
*	56325219	3	Cable Tie

\* = Not Shown

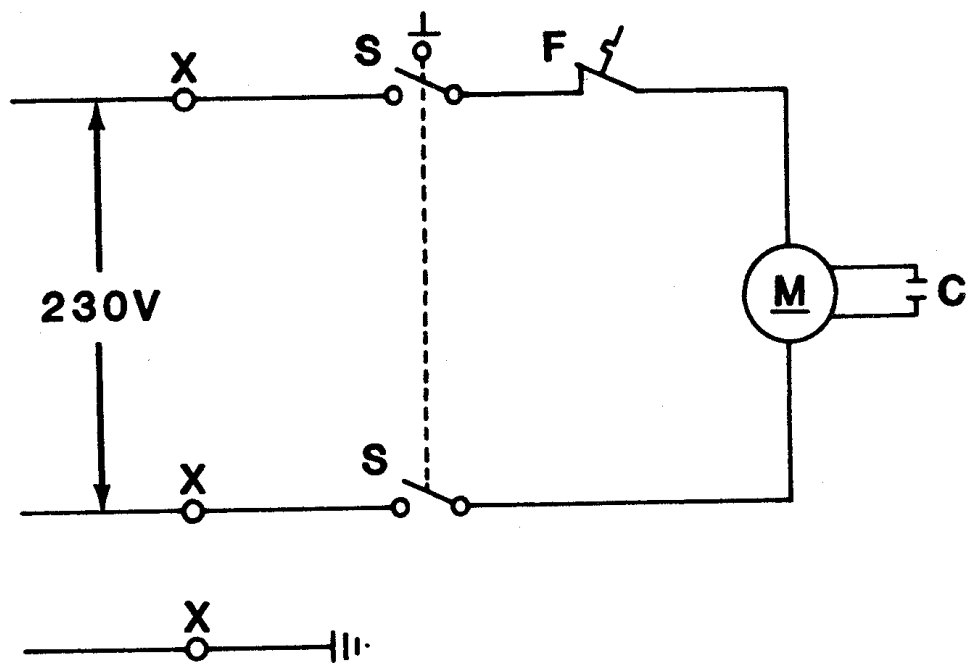
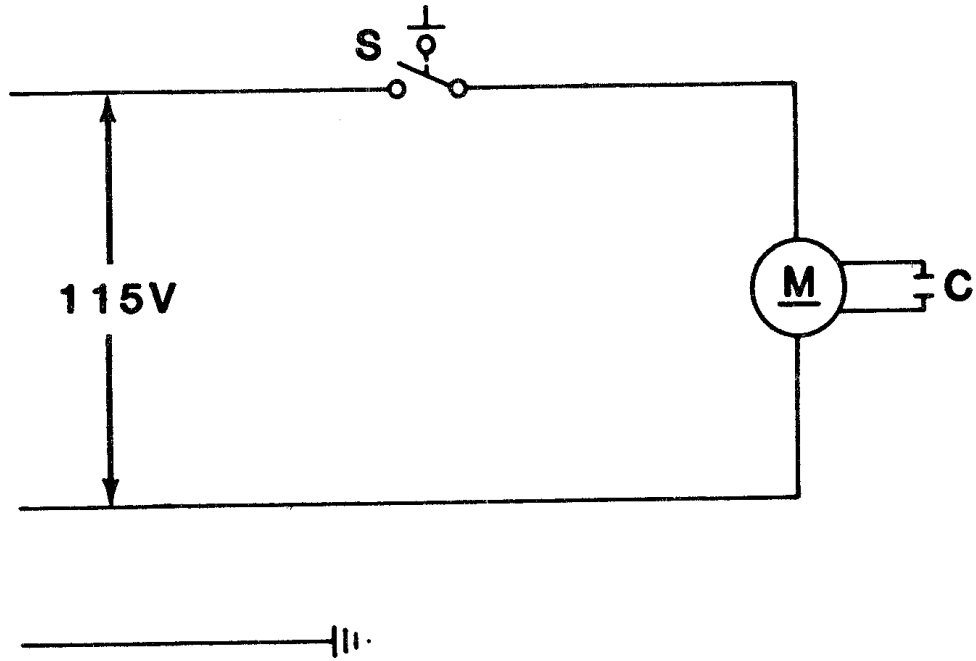




## BASE ASSEMBLY

Item	Ref. No.	Qty	Description	Item	Ref. No.	Qty	Description
1	56014089	1	Decal, Matador Cover	30		4	#8-32 x 1/4 Screw
2	56172277	1	Cover	31	56014864	1	Decal, Instruction 115V
3	56014083	1	Decal, Advance	32	56320099	2'	Gasket (50.8 mm)
4	56171140	1	Motor 115V/17"	33	56171092	1	Cover 17"
	56171228	1	Replacement Stationary Switch		56171121	1	Cover 20"
	56171230	4	Through Bolt	34		1	1/4-20 x 3 Screw
	56171141	1	Motor 230V/17"	35	56171174	1	Bracket
	56524893	1	Replacement Stationary Switch	36	56206849	1	Bearing
	56171230	4	Through Bolt	37		2	#10-32 x 3/8 Screw
	56171164	1	Motor 115V/20"	38	56171177	1	Spring
	56171228	1	Replacement Stationary Switch	39		1	1/4-20 Nut
	56171166	4	Through Bolt	40	56171435	1	Stud
	56171167	1	Motor 230V/20"	41	56171176	2	Idler Bracket 115V
	56171228	1	Replacement Stationary Switch		56171039	2	Idler Bracket 230V
	56171166	4	Through Bolt	42		1	1/4-20 x 3/4 Screw
	56171167	1	Motor 230V/20"	43		1	1/4 Washer
	56171228	1	Replacement Stationary Switch	44	56368989	1	Bushing
	56171166	4	Through Bolt	45	56106070	1	Bearing
5		1	#8-32 x 1/4 Screw	46	56171433	1	Pulley
6	56171146	1	Clamp	47	56171088	1	Sheave 115V
7	56171160	1	Capacitor		56171414	1	Sheave 230V
8	56153648	1	Button Plug	48		2	5/16-18 x 1/2 Set Screw
9	56172309	1	Skirt Housing 17"	49	56443719	1	Key
	56172303	1	Skirt Housing 20"	50	56171550	1	9A Circuit Breaker 230V/17"
10	56014811	1	Decal, Left Stripe 17"		56387316	1	10A Circuit Breaker 230V/20"
	56014426	1	Decal, Left Stripe 20"	*		1	3/8-27 Brass Nut
11	56514070	1	Bumper 17"	51	56171108	2	Clamp
	56514065	1	Bumper 20"	52		2	#10-32 x 5/8 Screw
12	56171060	1	Weight 17"	53	56520845	2	Axle
	56171050	1	Weight 20"			2	3/8-16 Nut
13	56014799	1	Decal, Right Stripe 17"	54	56161691	2	Wheel
	56014425	1	Decal, Right Stripe 20"	55	56155373	4	Washer
14	56171366	2	Shim 17"	56	56155411	4	Washer (2 on 20")
15	56171056	1	Stud Shaft	57	56171369	1	Button Plug 115V
16		4	1/4-20 x 1/2 Screw	58		2	1/4-20 x 5/8 Screw
17	56171078	1	Seal	59	56171104	1	Ratchet
18	56171221	3	Stud (2 on 17")	60		2	1/4-20 x 3/4 Screw
	56171263	1	Stud 17"	61	56171095	2	Bearing
19		3	5/16-18 Nut	62	56382817	1	Strain Relief
20	56171090	1	Pulley	63	56382818	1	Strain Relief
	56171376	1	Pulley assembly (#20,21)	64	56171129	1	Cord Set 115V
21	56378259	2	Bearing Cup		56172331	1	Cord Set 230V
22	56163449	1	Washer	65	56172278	1	Shroud 17"
23	56158275	1	Gasket		56172279	1	Shroud 20"
24		6	#12-24 x 5/8 Screw	66	56171214	1	Clamp
25	56163430	1	Drive Cap (Silver/NP-47)	67		2	#10-32 x 7/8 Screw
	56163431	1	Drive Cap (Gold/NP-92)	*	56300152	1	Cord Clamp
26	56158313	1	Castle Nut	*	56321737	2	Wire Nut
27		1	Cotter Pin	* = Not Shown			
28	56378267	2	Bearing				
29	56171200	1	Belt				

**Note #1:** See TSB 628, G-10 for information on clutch plate change.



## WIRING DIAGRAM 115V

Item	Ref. No.	Qty	Description
------	----------	-----	-------------

S	56385615	1	Switch
M	56171140	1	Motor 17"
	56171228	1	Stationary Switch
	56171164	1	Motor 20"
	56171228	1	Stationary Switch
C	56171160	1	Capacitor

## WIRING DIAGRAM 230V

Item	Ref. No.	Qty	Description
------	----------	-----	-------------

X	56183523	1	Terminal Block
S	56385615	2	Switch
F	56171550	1	9A Circuit Breaker 17"
	56387316	1	10A Circuit Breaker 20"
M	56171141	1	Motor 17"
	56524893	1	Stationary Switch
	56171167	1	Motor 20"
	56524893	1	Stationary Switch
C	56171160	1	Capacitor



Nilfisk-Advance, Inc.  
14600 21st Avenue North  
Plymouth, MN, 55447-3408  
[www.nilfisk-advance.com](http://www.nilfisk-advance.com)  
Phone: 800-989-2235  
Fax: 800-989-6566  
©2001 Nilfisk-Advance, Inc.,  
Plymouth, MN 55447-3408  
Printed in the U.S.A.