

# High-Speed Matador™ 17/20

---



## **PARTS LIST**

**Advance MODELS 56172395, 56172400, 56172410  
56172425**

**This parts list is for machines after serial number 279789  
All models covered in this manual are OBSOLETE**



**Nilfisk  
Advance**

*setting standards*

10/89 revised 3/01 Form Number 56042197

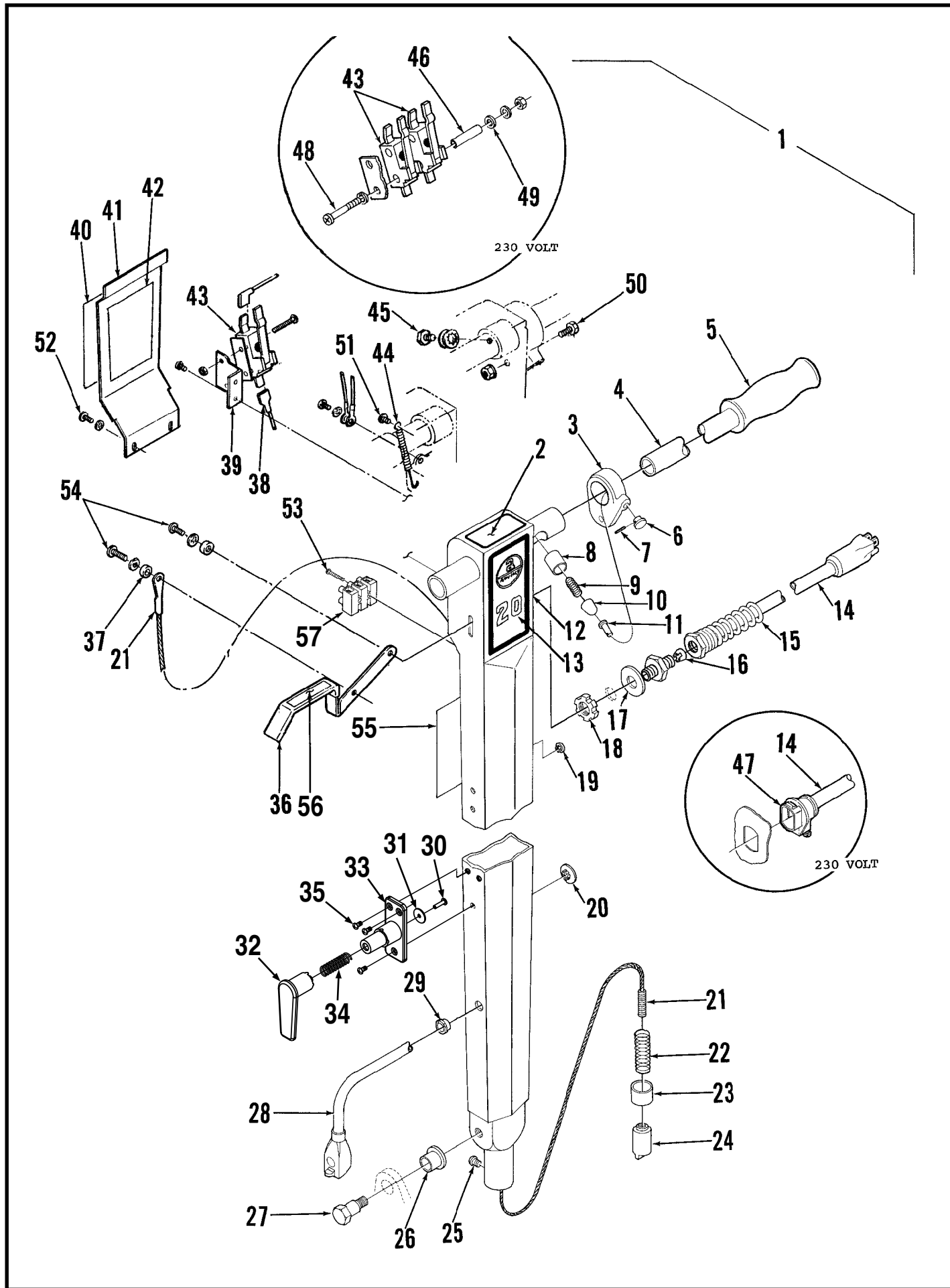
# TABLE OF CONTENTS

<u>DESCRIPTION</u>	<u>PAGE</u>
Handle .....	1-2
Base Assembly .....	3-4
Wiring Diagrams .....	5-6
Optional Brushes And Accessories .....	7

### WHEN ORDERING PARTS

- \* Use the 8 digit numbers from the "Part No." columns in this parts list.
- \* Specify the model and serial number of the machine.
- \* Use the space below to record the model and serial number for future reference.

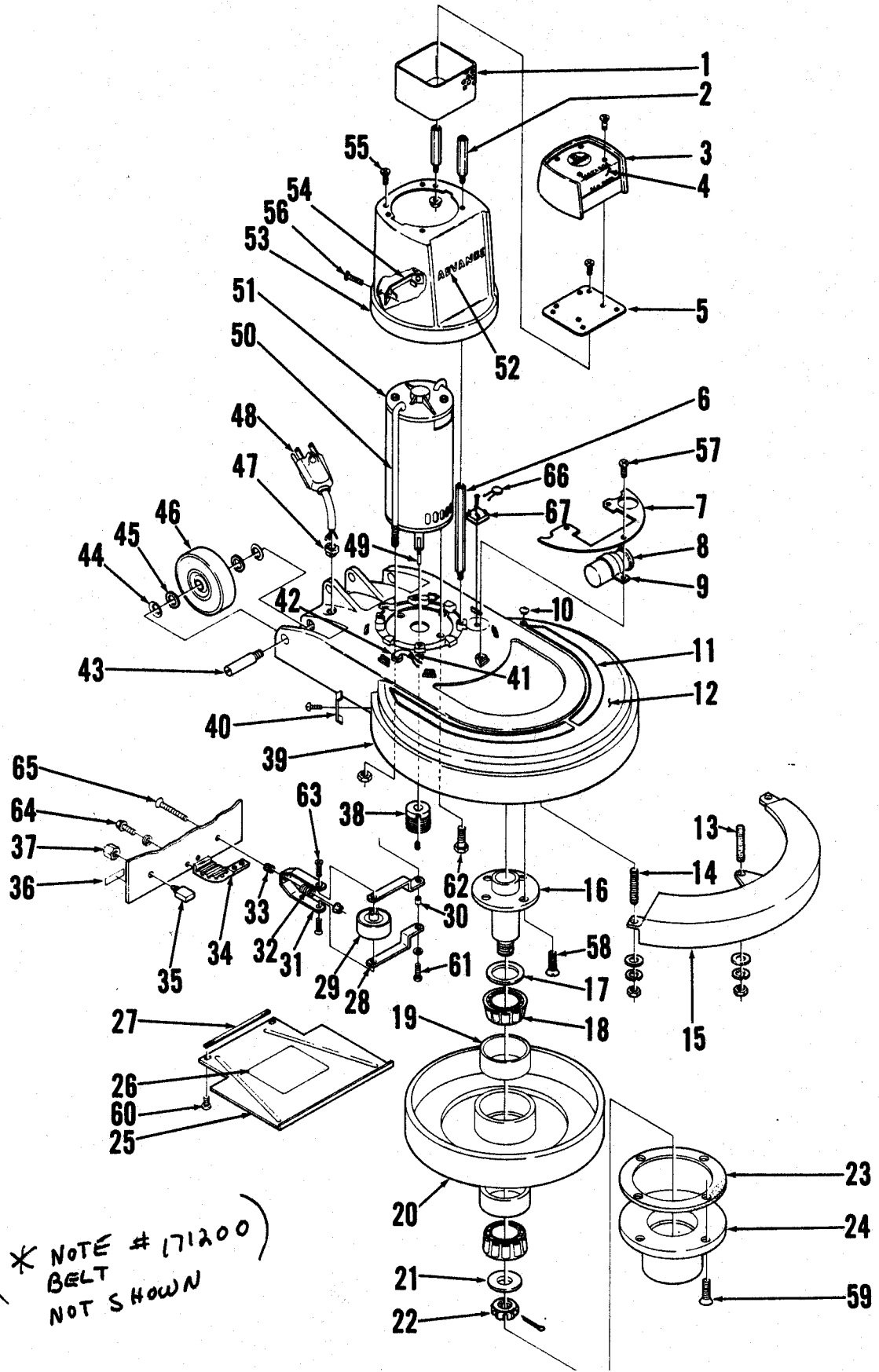
Model \_\_\_\_\_ Serial No. \_\_\_\_\_



# HANDLE ASSEMBLY

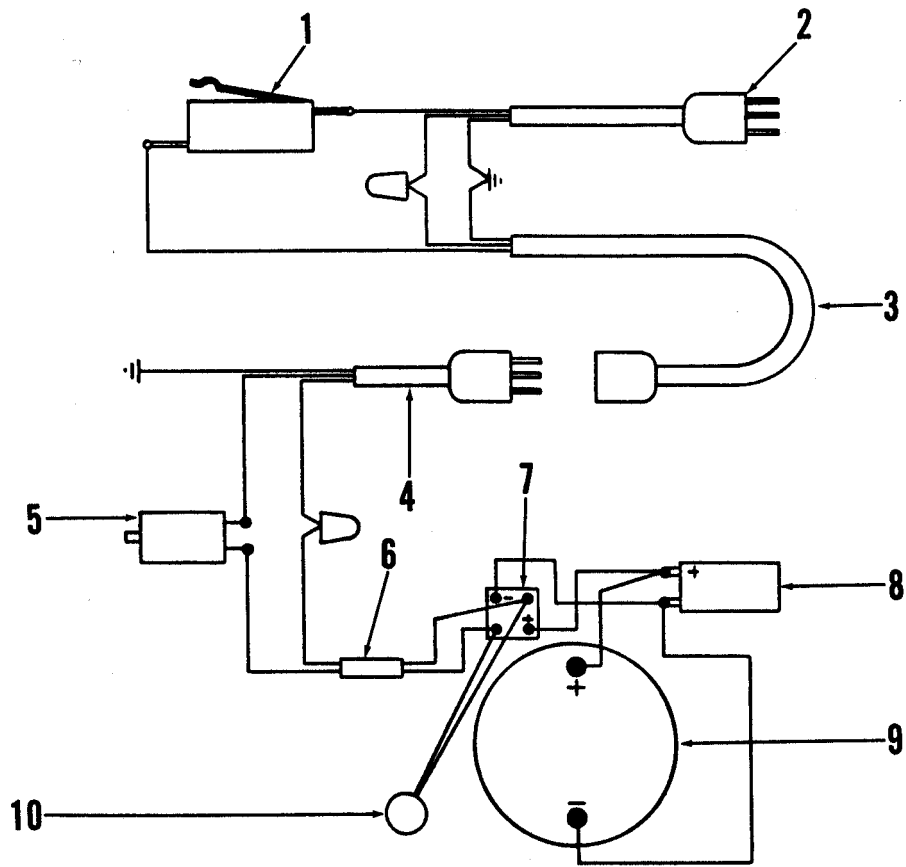
Item	Part No.	Qty	Description	Item	Part No.	Qty	Description
1	56172298	1	Handle Assembly 115V	29	56382817	1	Strain Relief 115V
	56172337	1	Handle Assembly 230V		56163015	1	Strain Relief 230V
2	56014924	1	Decal, Warning		56171112	1	Cord Hook Assembly (#30-34)
3	56172275	1	Collar	30	56009005	1	Scr, Pan Phil SS Type B 10-16 x .75
4	56171343	1	Handle Tube	31	56009096	1	Wsh Fit .193 x .875 x .060
5	56388545	2	Handle Grip	32	56171110	1	Arm
6	56201405	1	Knob	33	56171111	1	Base
7	56201472	1	Spring Pin	34	56380732	1	Spring
8	56171281	1	Bushing	35	56009030	3	Scr, Pan Phil Thd Form 10-24 x .38
9	56201448	1	Spring	36	56171126	1	Lever
10	56171279	1	Plunger	37	56151092	2	Spacer
11	56172217	1	Pin	38	56171184	1	Insulator Flag
12	56172274	1	Handle Weldment 115V	39	56171209	1	Bracket 115V only
	56172332	1	Handle Weldment 230V	40	56014033	1	Decal, Warning 230V only
13	56014085	1	Decal, Logo 17	41	56172273	1	Cover 115V
	56014096	1	Decal, Logo 20		56183611	1	Cover 230V
14	56524069	1	Cord Set 115V	42	56014326	1	Decal, Important
	56183587	1	Cord Set 230V	43	56385615	1	Switch (2 on 230V)
15	56109630	1	Strain Relief	44	56445177	1	Spring
16	56109632	1	Brass Insert	45	56234079	1	Screw
17	56171093	1	Washer	46	56183589	1	Insulator Sleeve 230V
18	56171094	1	Hex Nut	47	56183586	1	Strain Relief
19	56153699	4	Plug Button	48		2	#4-40 x 1-3/4 Screw
20	56157244	1	Plug Button	49	56200190	2	Washer
21	56171373	1	Cable Assembly	50		1	1/4-20 x 1/2 Screw
22	56171361	1	Spring	51		1	#8-32 x 7/8 Screw
23	56171269	1	Bushing	52		5	#8-32 x 1/4 Screw
24	56171132	1	Plunger	53		2	#4-40 x 5/8 Screw
25		1	Drive #4 x .25 Screw	54		2	#10-24 x 1/2 Screw
26	56171095	2	Bearing Sleeve	55	56014828	1	Decal, Warning 115V
27	56171336	2	Bolt Pivot		56014204	1	Decal, Warning 230V
28	56171128	1	Cord Set 115V	56	56014856	1	Decal, Handle 115V
	56171331	1	Cord Set 230V	57	56183523	1	Terminal Block

(\* NOTE # 171200 )  
BELT  
NOT SHOWN

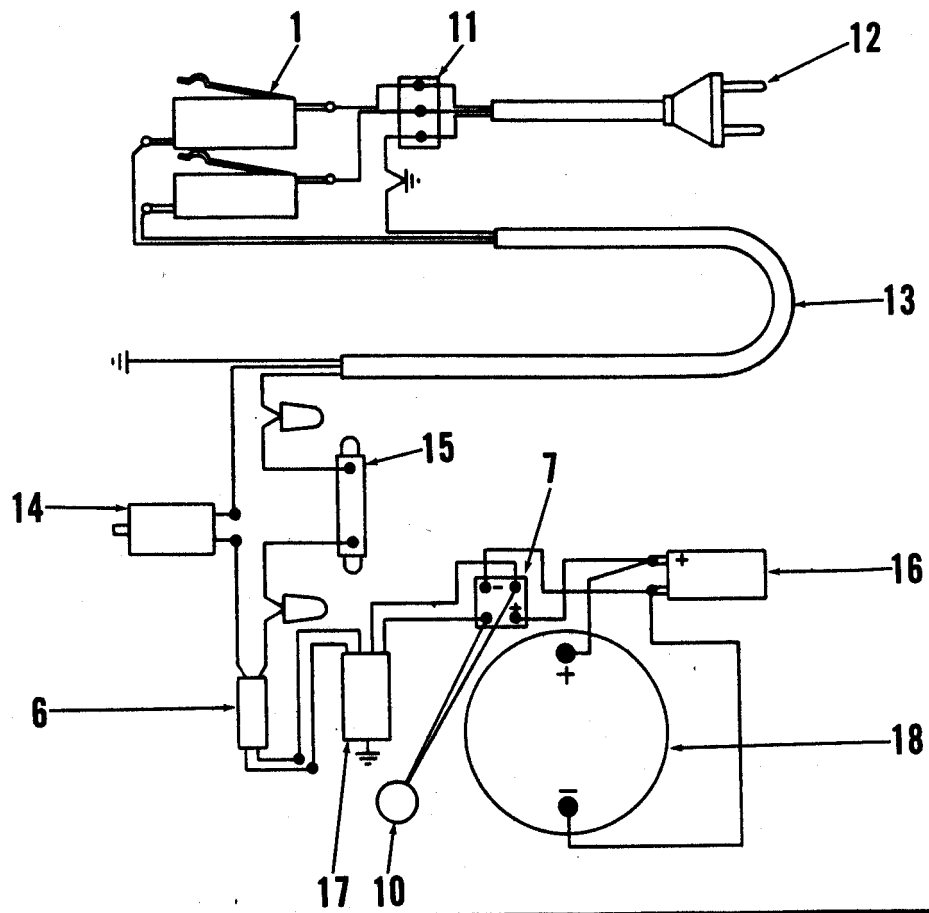


# BASE ASSEMBLY

Item	Part No.	Qty	Description	Item	Part No.	Qty	Description
1	56171590	1	Guard	41	56171038	1	Cord Assembly 14/2 x 19
2	56171559	4	Spacer	42	56382817	1	Strain Relief
3	56172280	1	Cover Shroud	43	56520845	2	Axle
4	56014093	1	Decal, Matador	44	56155373	2	Bowed Washer
5	56171512	1	Bracket	45	56155411	2	Flat Washer
6	56171526	4	Spacer	46	56161691	2	Wheel
7	56171788	1	Plate	47	56382818	1	Strain Relief
8	56171552	1	Capacitor 115V	48	56171129	1	Cord Set 115V
	56171510	1	Capacitor 230V	49	56443719	1	Key
9	56171531	1	Clamp	50	56171530	2	J-Bolt
10	56153648	1	Plug Button	51	56171594	1	Motor 115V
11	56014799	1	Decal, Stripe Right 17		56171556	1	Motor 230V
	56014811	1	Decal, Stripe Left 17		56171472	1	Carbon Brush Set 115V
	56014425	1	Decal Stripe Right 20		56171473	1	Carbon Brush Set 230V
	56014426	1	Decal Stripe Left 20		56171557	1	End Bell (W/Brushes)115V
12	56172310	1	Skirt Housing 17		56171558	1	End Bell (W/Brushes)230V
	56172312	1	Skirt Housing 20	52	56014088	1	Decal, Advance
13	56171263	1	Set Screw 5/16 x 1-1/2	53	56172287	1	Motor Shroud
14	56171221	2	Set Screw 5/16 x 1-3/4	54	56171786	1	Plate
15	56171422	1	Weight Casting 17	55		11	#10-24 x 3/8 Screw
	56171047	1	Weight Casting 20	56	56387672	2	Screw
16	56171056	1	Shaft Stud	57		3	#10-24 x 3/8 Screw
17	56171078	1	Seal	58		4	1/4-20 x 5/8 Screw
18	56378267	2	Bearing	59		6	#10-24 x 1/2 Screw
19	56378259	2	Bearing Cup	60		4	#8-32 x 3/8 Screw
20	56171376	1	Pulley W/Cups	61		1	1/4-20 x 5/8 Screw
21	56163449	1	Washer	62		2	5/16-18 x 1 Screw
22	56158313	1	Nut	63		2	#10-24 x 3/8 Screw
23	56158275	1	Gasket	64		2	1/4-20 x 3/4 Screw
24	56163430	1	Drive Cap (Silver/NP-47)	65		1	1/4-20 x 3 Screw
	56163431	1	Drive Cap (Gold/NP-92)	66	56387554	1	Varistor
25	56171092	1	Cover 17	67	56180162	1	Rectifier
	56171121	1	Cover 20	68	56171200	1	Belt
26	56014843	1	Decal, Instructions 115V only				
27	56320099	2'	Gasket				Accessories (Not Included)
28	56171039	2	Bracket Idler 17				
	56171176	2	Bracket Idler 20		56505331	1	Prolene Scrub Brush 17
29	56171437	1	Idler Assembly		56505450	1	Prolene Scrub Brush 20
30	56206784	1	Bushing		56505334	1	Union Mix Polish 17
31	56171174	1	Bracket		56505454	1	Union Mix Polish 20
32	56171177	1	Spring		56163341	1	Clutch Plate 17, 20
33	56206849	1	Nylon Bearing		56505330	1	Short Trim Pad Holder 17
34	56171104	1	Ratchet		56505455	1	Short Trim Pad Holder 20
35	56171554	1	Circuit Breaker 16A 115V		56182058	1	Lock Collar 17, 20
	56171550	1	Circuit Breaker 9A 230V		56161773	1	Level Set Pad Holder 17
36	56014873	1	Decal, Circuit Breaker		56161782	1	Level Set Pad Holder 20
37	56171541	1	Hex Nut 3/8-27		56168701	1	Solution Tank Handle Mount 17
38	56171414	1	Sheave Poly-V 17		56168700	1	Solution Tank Handle Mount 20
	56171088	1	Sheave Poly-V 20		56171700	1	Solution Tank Motor Mount 17, 20
39	56514070	1	Bumper 17		56172305	1	Splash Guard 17
	56514065	1	Bumper 20		56172313	1	Splash Guard 20
40	56171108	2	Bumper Clamp		56171409	1	Shampoo Brush 17
					56171295	1	Shampoo Brush 20
					56600358	1	Spray Buff Mister 17, 20



230 VOLT



## WIRING DIAGRAM

Item	Part No.	Qty	Description
1	56385615	1	Snap Switch (2 on 230V)
2	56524069	1	Cord Set
3	56171128	1	Cord Set
4	56171129	1	Cord Set
5	56171554	1	Circuit Breaker 16A
6	56171038	1	Cord Assembly 14/2 x 19
7	56180162	1	Rectifier
8	56171552	1	Capacitor
9	56171594	1	Motor 115V
10	56387554	1	Varistor Assembly
11	56183523	1	Terminal Block
12	56183587	1	Cord Set
13	56172331	1	Cord Set
14	56171550	1	Circuit Breaker 9A
15	56172260	1	Resistor
16	56171510	1	Capacitor
17	56171743	1	Filter Assembly
18	56171556	1	Motor 230V



## OPTIONAL BRUSHES AND ACCESSORIES

Part No.	Qty	Description	Part No.	Qty	Description
<b>17" Brushes For Silver NP-47 Drive Cap</b>					
56505055	1	Magna Grit™ 46 Brush, 17"	56182058	A/R	"Pad Grab" Pad Retainer ( <b>snap in</b> )
56505054	1	Dyna Grit™ 80 Brush, 17"	56393567	A/R	"Big Mouth" Pad Retainer ( <b>threaded</b> )
56505078	1	MidLite Grit™ 180 Brush, 17"	56168701	1	Solution Tank Handle Mount, 17"
56505082	1	MidGrit™ 240 Brush, 17"	56168700	1	Solution Tank Handle Mount, 20"
56505059	1	AgLite™ 500 Brush, 17"	56171700	1	Solution Tank Motor Mount, 17" / 20"
56505331	1	Prolene Brush, 17"	56172305	1	Splash Guard, 17"
56505076	1	ProLite™ Brush, 17"	56172313	1	Splash Guard, 20"
56505334	1	Union Mix Brush, 17"	56600358	1	Spray Buff Mister, 17" / 20"
56505330	1	Short-Trim Pad Holder, 17"			
56505180	1	Level-Set Pad Holder, 17"			
56505530	1	Soft-Touch™ Shampoo Brush, 17"			
56505537	1	Soft-Touch™ Shampoo Brush Assy, 17"			
56506001	1	Clutch Plate for Above Brushes ( <b>Silver/NP-47</b> )			
<b>20" Brushes For Silver NP-47 Drive Cap</b>					
56505058	1	Magna Grit™ 46 Brush, 20"			
56505048	1	Dyna Grit™ 80 Brush, 20"			
56505079	1	MidLite Grit™ 180 Brush, 20"			
56505083	1	MidGrit™ 240 Brush, 20"			
56505063	1	AgLite™ 500 Brush, 20"			
56505450	1	Prolene Brush, 20"			
56505077	1	ProLite™ Brush, 20"			
56505454	1	Union Mix Brush, 20"			
56505455	1	Short-Trim Pad Holder, 20"			
56505183	1	Level-Set Pad Holder, 20"			
56505531	1	Soft-Touch™ Shampoo Brush, 20"			
56505538	1	Soft-Touch™ Shampoo Brush Assy, 20"			
56506001	1	Clutch Plate for Above Brushes ( <b>Silver/NP-47</b> )			
<b>17" Brushes For Gold NP-92 Drive Cap</b>					
56505911	1	Magna Grit™ 46 Brush, 17"			
56505912	1	Dyna Grit™ 80 Brush, 17"			
56505918	1	MidLite Grit™ 180 Brush, 17"			
56505917	1	MidGrit™ 240 Brush, 17"			
56505913	1	AgLite™ 500 Brush, 17"			
56505914	1	Prolene Brush, 17"			
56505915	1	ProLite™ Brush, 17"			
56505916	1	Union Mix Brush, 17"			
56505910	1	Short-Trim Pad Holder, 17"			
56505270	1	Level-Set Pad Holder, 17"			
56505539	1	Soft-Touch™ Shampoo Brush Assy, 17"			
56506006	1	Clutch Plate for Above Brushes ( <b>Plastic/NP-92</b> )			
<b>20" Brushes For Gold NP-92 Drive Cap</b>					
56505921	1	Magna Grit™ 46 Brush, 20"			
56505922	1	Dyna Grit™ 80 Brush, 20"			
56505928	1	MidLite Grit™ 180 Brush, 20"			
56505927	1	MidGrit™ 240 Brush, 20"			
56505923	1	AgLite™ 500 Brush, 20"			
56505924	1	Prolene Brush, 20"			
56505925	1	ProLite™ Brush, 20"			
56505926	1	Union Mix Brush, 20"			
56505920	1	Short-Trim Pad Holder, 20"			
56505280	1	Level-Set Pad Holder, 20"			
56505540	1	Soft-Touch™ Shampoo Brush Assy, 20"			
56506006	1	Clutch Plate for Above Brushes ( <b>Plastic/NP-92</b> )			



Nilfisk-Advance, Inc.  
14600 21st Avenue North  
Plymouth, MN, 55447-3408  
[www.nilfisk-advance.com](http://www.nilfisk-advance.com)  
Phone: 800-989-2235  
Fax: 800-989-6566  
©2001 Nilfisk-Advance, Inc.,  
Plymouth, MN 55447-3408  
Printed in the U.S.A.