

# MATADOR HIGH SPEED

# PARTS LIST

MODEL M17HS

M17-5HS

M20HS

M20-5HS

FORM NO. 042 053

MARCH 1981

Parts List covers all Models  
after Serial # 831543 (115V)  
Serial # 823553 (230V)



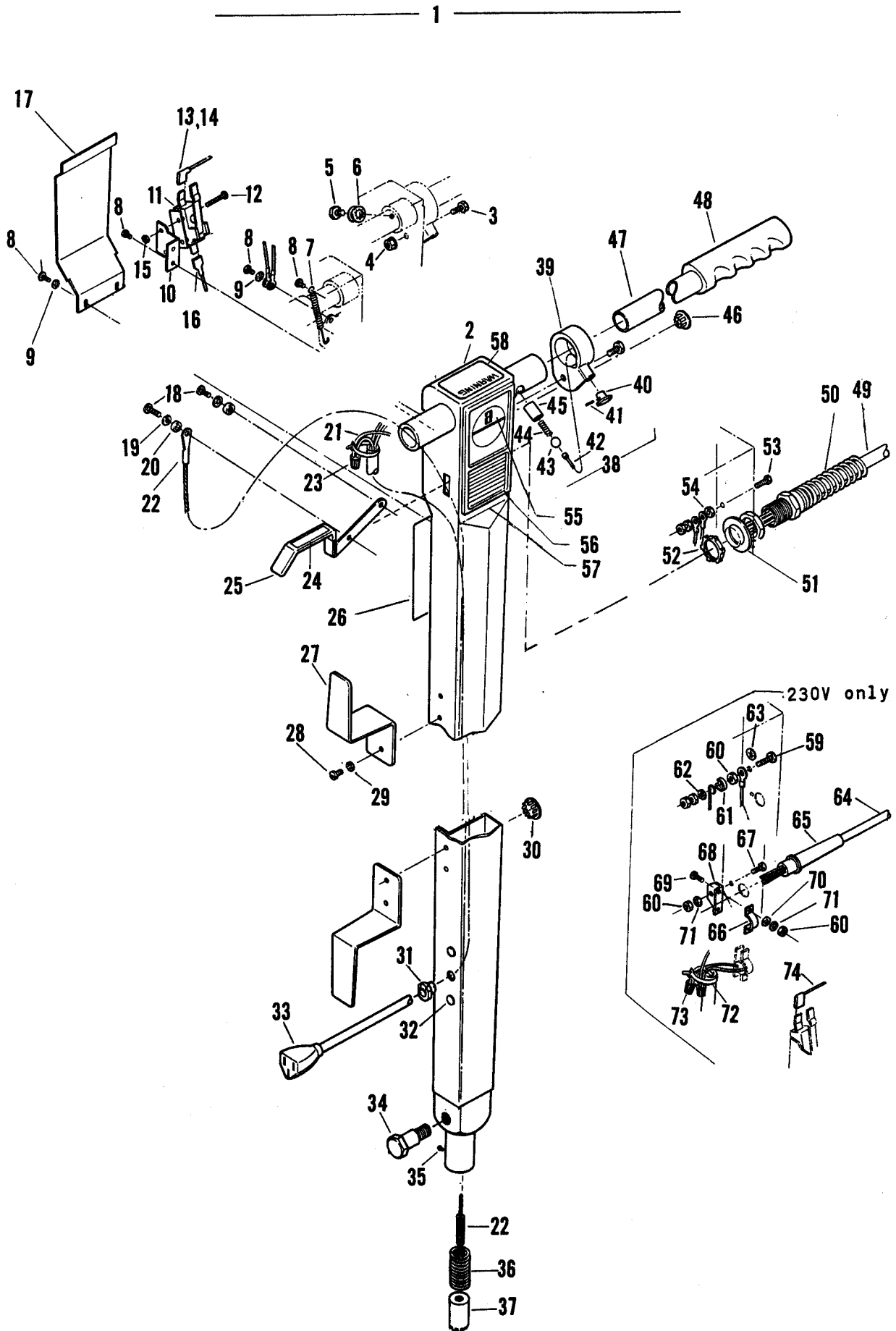
**ADVANCE**  
**MACHINE COMPANY**

INTERNATIONAL HEADQUARTERS, Spring Park, Minnesota 55384 USA  
EUROPE, 4 Rue Jean Engling, 1466 Luxembourg  
CANADA, 45 Iron Street, Rexdale, Ontario



## Index for Form Number 042053

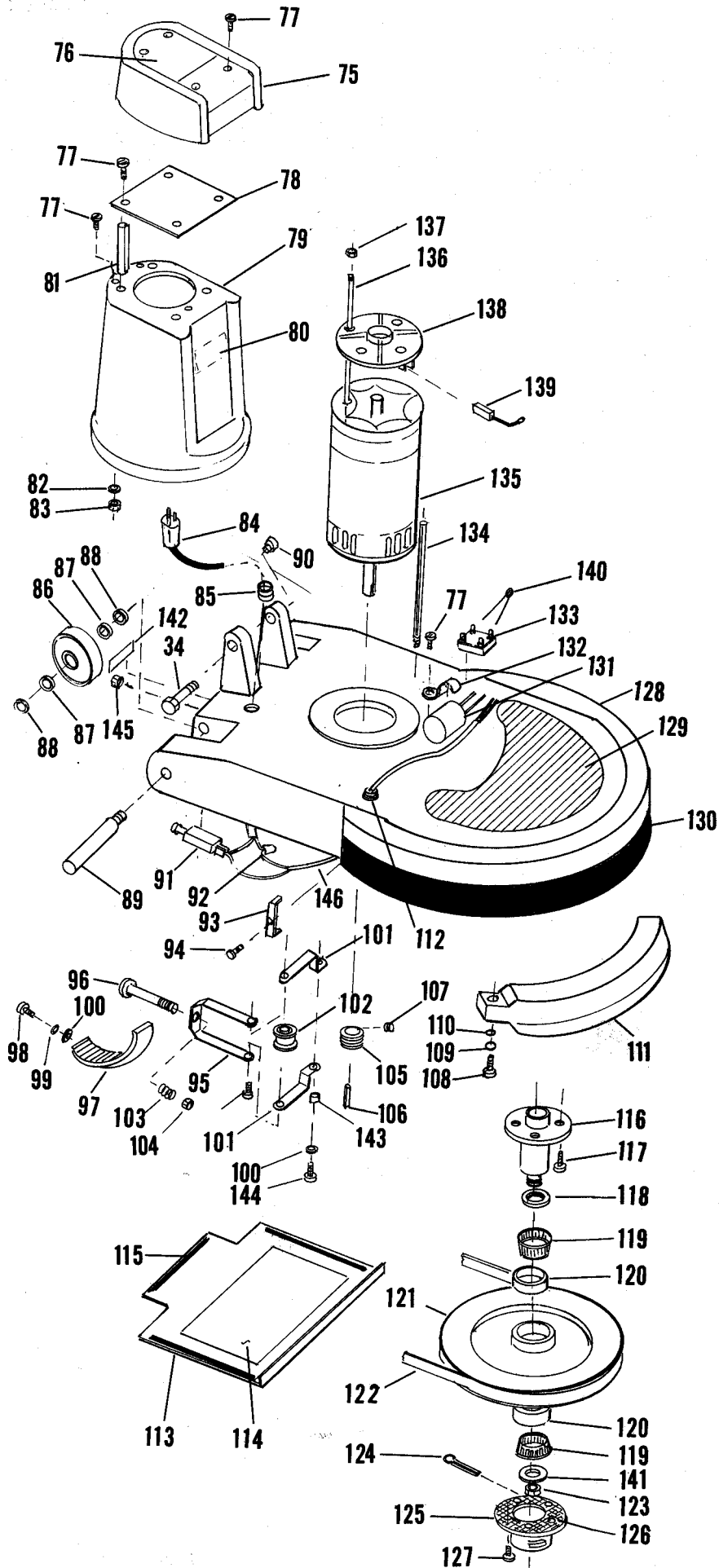
<b>Description</b>	<b>Location</b>	<b>page</b>
Base	D1	3
Handle	C13	1
Wiring Diagram	D3	5



# HANDLE ASSEMBLY

Form No. 042053

ITEM	PART NO		DESCRIPTION
1	171 275	1	HANDLE ASS'Y., 115V
	171 430	1	HANDLE ASS'Y., 230V
2	172 258	1	HANDLE WELDMENT
3		1	SCREW, 1/4-20 X .50 Hex Hd
4		1	NUT, 1/4-20 Whiz
5	234 079	1	SCREW
6		2	WASHER, Shakeproof 5/16"
7	445 177	1	SPRING
8		5	SCREW, #8-32 X.25 Pan Hd.
9		2	WASHER, Shakeproof #8
10	171 209	1	BRACKET
11	171 225	1	SWITCH
12		2	SCREW, #4-40 X.875 Pan Hd.
13	321 311	1	TAB, Receptacle
14	321 338	1	INSULATOR
15		2	NUT, #4-40 Hex
16	171 184	1	INSULATOR FLAG
17	172 262	1	COVER
18		2	SCREW, #10-24 X.375 Pan Hd
19	150 150	1	WASHER, Bowed
20	151 092	2	SPACER
21	478 246	1	TIE, Cable
22	171 099	1	CABLE ASS'Y.
23	321 737	1	NUT, Wire
24	014 856	1	DECAL, Handle
25	171 126	1	LEVER
26	014 828	1	DECAL, Warning
27	172 213	2	HOOK, Cord
28		4	SCREW, #10-32 X.375 Pan Hd.
29		4	WASHER, Shakeproof #10
30	157 244	1	PLUG BUTTON, .656
31	382 817	1	STRAIN RELIEF
32	153 699	3	PLUG BUTTON
33	171 128	1	CORD SET, 115V & 230V
34	171 097	2	BOLT, Pivot
35		1	SCREW, Drive #4 X .25
36	171 123	1	SPRING
37	171 132	1	PLUNGER
38	172 219	1	SAFETY LOCK ASS'Y., Incls: Item 39-45
39	172 215	1	COLLAR ASS'Y.
40	172 209	1	COLLAR
41	201 405	1	KNOB
42	201 472	1	PIN, Spring
43	745 866	1	BALL
44	578 222	1	SPRING, Compression
45	172 201	1	BUSHING
46	153 648	1	PLUG BUTTON
47	172 198	1	TUBE, Handle
48	514 085	2	GRIP, Handle
49	524 069	1	CORD SET, 155V
50	109 630	1	STRAIN RELIEF
51	171 093	1	WASHER
52	171 094	1	NUT, Hex
53		1	SCREW, #8-32 X.625 Pan Hd.
54		3	NUT, #8-32 Hex
55	014 600	1	DECAL, Advance
56	014 853	1	DECAL
57	014 598	1	DECAL, Plate
58	014 924	1	DECAL, Warning
59		1	SCREW, #8-32 X.625 Pan Hd. 230V
60		6	NUT, #8-32 Hex 230V
61	325 274	1	WASHER, Cupped 230V
62	325 276	1	WASHER, 230V
63	014 119	1	DECAL, Ground 230V
64	300 227	1	CORD SET, 230V
65	301 396	1	STRAIN RELIEF, 230V
66	300 542	1	CLAMP, Strain Relief 230V
67		1	SCREW, #8-32 X.375 Pan Hd. 230V
68	171 434	1	BRACKET, 230V
69		2	SCREW, #8-32 X.625 Pan Hd. 230V
70		5	WASHER, Shakeproof 230V
71		2	WASHER, Flat #8
72	478 246	1	TIE, Cable 230V
73	321 737	1	NUT, Wire 230V
74	171 432	1	WIRE ASS'Y., 230V



# BASE ASSEMBLY

Form No. 042053

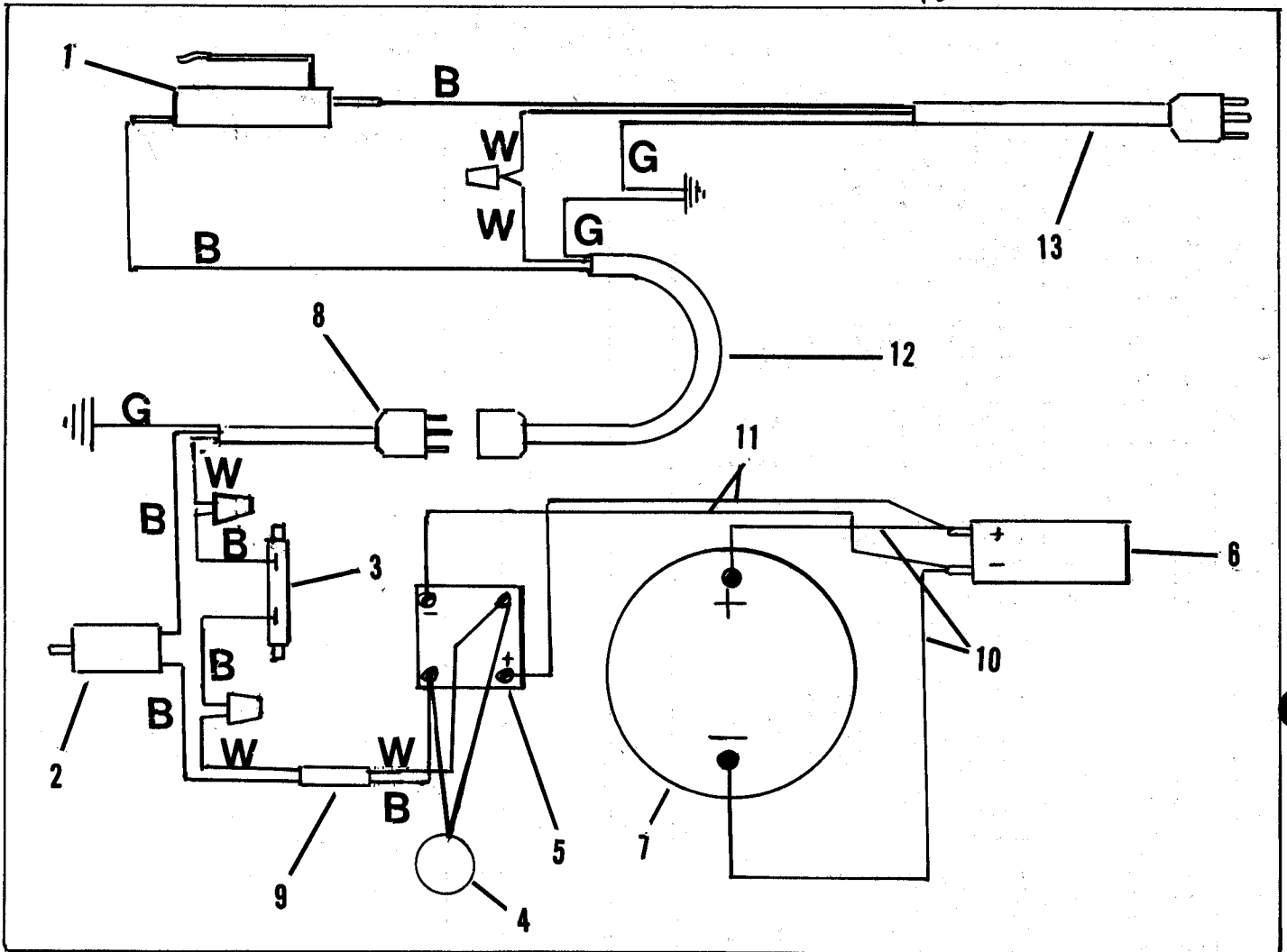
ITEM	PART NO	QTY	DESCRIPTION	ITEM	PART NO	QTY	DESCRIPTION
75	171 544	1	COVER ASS'Y., Motor	144		3	SCREW, 1/4-20 X.625 Hex Hd.
76	014 844	1	DECAL, Matador	145	171 541	1	NUT, 3/8-27 Hex
77		12	SCREW, #10-24 X.375 Pan Hd.	146	171 038	1	CORD ASS'Y., 14/12 X 19
78	171 512	1	BRACKET				
79	171 529	1	SHROUD ASS'Y., w/Decal 17"				
	171 527	1	SHROUD ASS'Y., w/Decal 20"				
80	014 532	1	DECAL, Advance				
81	171 559	4	SPACER				
82		2	WASHER, #10 Flat				
83		2	NUT, #10-24 Hex				
84	171 129	1	CORD SET 14/3 X.54				
85	320 358	1	STRAIN RELIEF				
86	161 691	2	WHEEL, 5.00 X 1.25				
87	155 411	4	WASHER				
88	155 373	2	WASHER, Bowed				
89	520 845	2	AXLE				
90	171 095	2	BEARING, Sleeve				
91	171 554	1	CIRCUIT BREAKER, 16A 115V				
	171 550	1	CIRCUIT BREAKER, 9A 230V				
92	321 737	1	WIRE NUT				
93	171 108	2	CLAMP, Bumper				
94		2	SCREW, #10-32, X.75 Flat Hd.				
95	171 174	1	BRACKET, Idler				
96		1	SCREW, 1/4-20 X 3.00 Flat Hd.				
97	171 104	1	RATCHET, Casting				
98		3	SCREW, 1/4-20 X .625 Hex Hd.				
99		2	LOCKWASHER, 1/4"				
100		6	WASHER, 1/4" Flat				
101	171 039	2	BRACKET, Idler				
102	171 178	1	IDLER ASS'Y.				
103	171 177	1	SPRING				
104		1	NUT, 1/4-20 Whiz				
105	171 414	1	SHEAVE, 17"				
	171 088	1	SHEAVE, 20"				
106	443 719	1	KEY, Square				
107		2	SCREW, 1/4-20 X.25 Set				
108		3	SCREW, 5/16-18 X 1.25 Hex Hd.				
109		3	LOCKWASHER, 5/16"				
110		3	WASHER, 5/16" Flat				
111	171 422	1	WEIGHT, Casting 17"				
	171 047	1	WEIGHT, Casting 20"				
112	163 744	1	GROMMET				
113	171 092	1	COVER, 17"				
	171 121	1	COVER, 20"				
114	014 843	1	DECAL, Instruction				
115	320 099	1	GASKET, 1/8 X 38				
116	171 056	1	STUD, Shaft				
117		4	SCREW, 1/4-20 X.625 Flat Hd.				
118	171 078	1	SEAL, Shaft				
119	378 267	2	BEARING, Cone				
120	378 259	2	CUP, Bearing				
121	171 376	1	PULLEY ASS'Y.				
122	171 200	1	BELT, Poly-V				
123	158 313	1	NUT, Slotted 9/16"				
124		1	COTTER PIN, 1/16 X 1.00				
125	163 430	1	DRIVE CAP, Casting				
126	158 275	1	GASKET				
127		6	SCREW, #12-24 X.625 Flat Hd.				
128	171 412	1	SKIRT ASS'Y., 17"				
	171 352	1	SKIRT ASS'Y., 20"				
129	014 874	1	DECAL, Insert				
130	514 070	1	BUMPER, 17"				
	514 065	1	BUMPER, 20"				
131	171 552	1	CAPACITOR, 1200 Mfd. 115V				
	171 510	1	CAPACITOR, 500 Mfd. 230V				
132	171 531	1	CLAMP, Capacitor				
133	180 162	1	RECTIFIER, 35A				
134	171 526	4	SPACER				
135	171 555	1	MOTOR ASS'Y., 1 1/2 H.P 115V/60Hz.				
	171 556	1	MOTOR ASS'Y., 1 1/2 H.P 230V/50Hz.				
136		2	THRU" BOLTS, 5/16-18				
137		2	JAM NUT, 5/16-18				
138	171 557	1	END BELL w/Brushes 115V				
	171 558	1	END BELL w/Brushes 230V				
139	171 472	1	BRUSHES, (Set of 2) 115V				
	171 473	1	BRUSHES, (Set of 2) 230V				
140	171 489	1	VARIATOR ASS'Y., 230V				
141	163 449	1	WASHER				
142	014 873	1	DECAL, Circuit Breaker				
143	206 784	1	BUSHING, Bracket				

171 542

20" Armature w/fan  
1 1/2 hp motor only

# WIRING DIAGRAM

FORM NO. 042053



ITEM	PART NO	QTY	DESCRIPTION
1	171 225	1	SWITCH
2	171 554	1	CIRCUIT BREAKER 16A 115V
	171 550	1	CIRCUIT BREAKER 230V 9A
3	172 260	1	RESISTOR, 230V
4	171 489	1	VARIATOR, 230V
5	180 162	1	RECTIFIER 35A
6	171 552	1	CAPACITOR, 1200Mfd 115V
	171 510	1	CAPACITOR, 500Mfd 230V
7	171 555	1	MOTOR, 1½ H.P 115V
	171 556	1	MOTOR, 1½ H.P 230V
8	171 129	1	CORD SET
9	171 038	1	CORD ASS'Y., 14/3 X 19
10	171 036	1	WIRE ASS'Y., 14/3 X 15
11	171 034	2	WIRE ASS'Y., 14/3 X 4
12	171 128	1	CORD SET 115V, 230V
13	524 069	1	CORD SET, 115V
	300 227	1	CORD SET, 230V